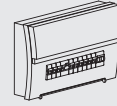


Installation

WARNING

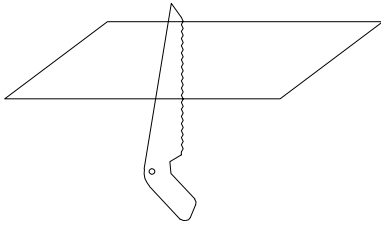
1. Switch off before installation.
2. Switch on only after complete installation and examination of the circuit.
3. Professional electrician for installation and maintenance only.



Step 1

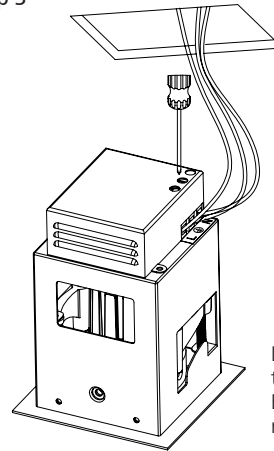
Turn Off power supply before starting any installation. Read instructions & check you have all the tools & accessories to complete the installation correctly.




Step 2



Open a hole on the ceiling according to cutout size of the lamp.

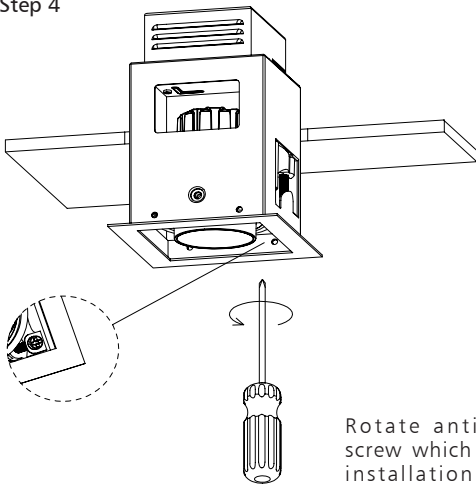
Step 3



-  L = SWITCHED
-  ⊕ = EARTH
-  N = NEUTRAL

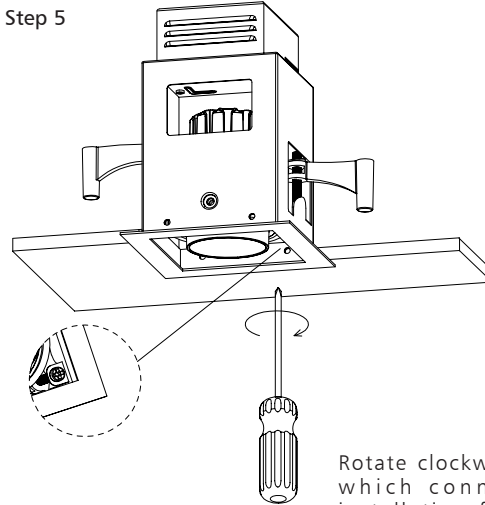
Locking AC-L and AL-N into terminal blocks respectively. Ensure insulation protection measures done well.

Step 4



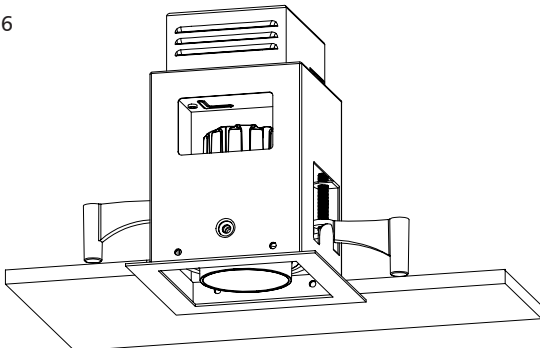
Rotate anticlockwise the screw which connected with installation fastener until fastener shrink back into lamp, then push whole lamp into hole.

Step 5



Rotate clockwise the screw which connected with installation fastener until fastener fix the ceiling tightly.

Step 6



Ensure lamp fixture is securely fixed; install complete, switch on.