



Art.nr TB87-3

PiR Sensor Plug-in

TUPexelectric



Detection Area



Daylight Sensor



Stand-by period

Code: HN074-01VRPH



Stand-by dimming level



Hold Time



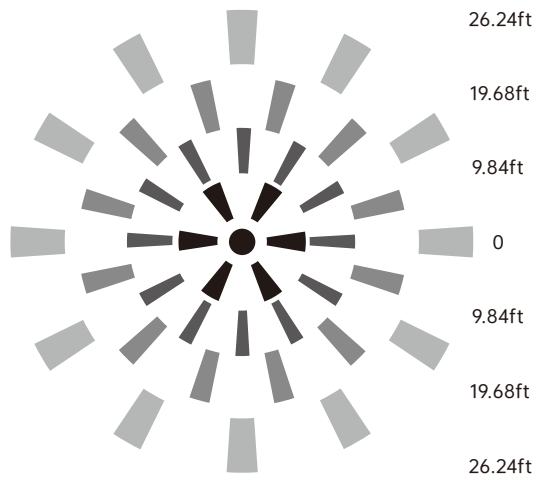
3 years Warranty

Technical Data

Operating Voltage 10.5-15V DC, Input Current >30mA	Sensitivity Setting 100%/75%/50%/25%	Peak Output Signal ≥3500mV
Operating Current <15mA	Hold Time 5s/30s/1min/3min/5min/10min/20min/30min	PIR Sensitivity 3200V/W
Connection 3Pin	Stand-by Period 0s/10s/30s/1min/5min/10min/30min/60min/+∞	Mounting Height ≤12m
Warm-up Period 45±5s	Stand-by dimming level 10%/20%/30%/50%	Detection Range Radius: 4-8m/13.12-26.24ft
Control ON/OFF 0-10V	Daylight Threshold 2Lux/10Lux/30Lux/50Lux/80Lux/120Lux/Disable	Programming HD05R
Detection Angle With Fresnel Lens <120°	PIR Wave Length 5-14um	Operating Temperature -20°C~+60°C

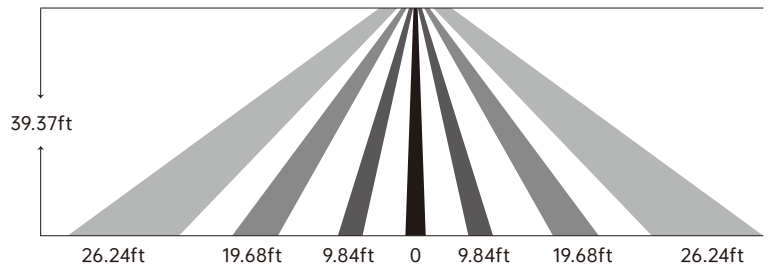
Daylight Priority

When it's programmed as standby dimming level 10% 20% or 30%, standby period as +∞ and daylight threshold as 120Lux, 80Lux, 50Lux or 30Lux.

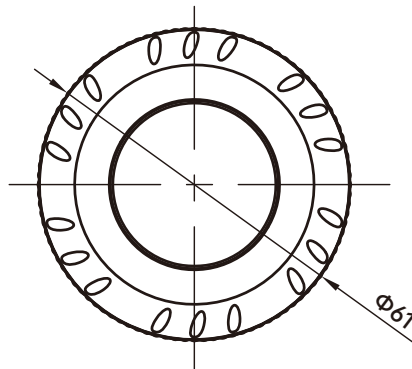
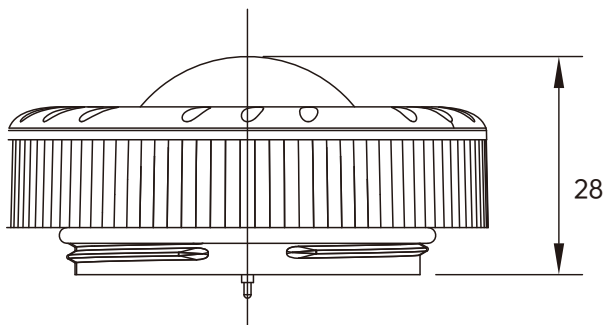


Mounting Height
 $\leq 12\text{m}/39.37\text{ft}$
 Ceiling Mounted

Detection Range
 Radius, 4-8m/13.12-26.24ft



Dimensions Unit: mm



Attention

1. Please read the instructions carefully before using this product and keep it well for all users to read at any time.
2. The sensor should be installed by qualified electrician and ensure power is off before the installation.
3. We reserve the right to modify any incorrect text, image and necessary technical parameters.
4. Any unauthorized modification is forbidden, otherwise all guarantees will be immediately invalid.

Installation precautions

1. Turn the power off at the circuit breaker before installing the sensor.
2. Do not allow bare wires to show.
3. Assemble any necessary mounting accessories.
4. Have the sensor's lens lower than edge of the fixture and keep the sensor away from heating part.

Application Environment

1. Do not mount it outdoor, in case the outdoor temperature disturbs it.
2. Do not have it at places with suddenly changed temperature or airflow.
3. Do not have shelves between sensor to the presence area.