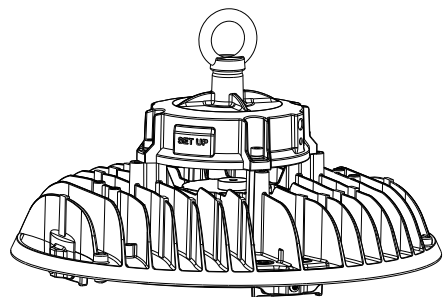
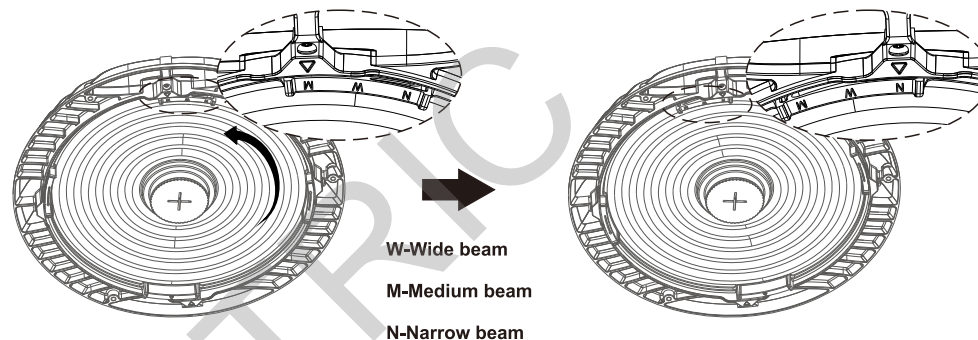


LED High Bay Light

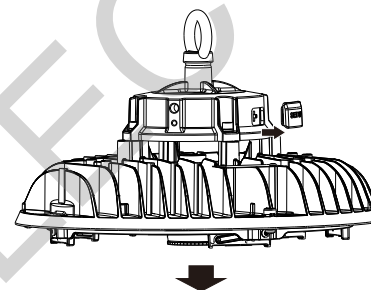
Installation Instructions



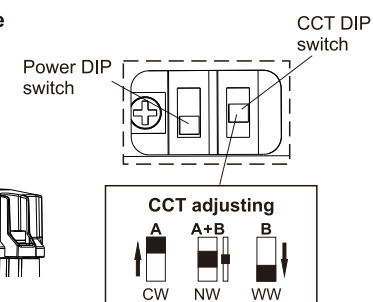
Rotatable Lens



Power and CCT Selectable

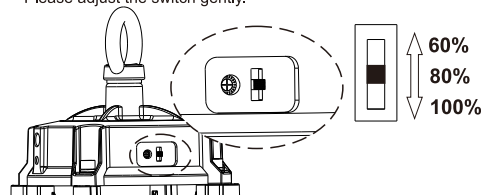


3 CCT Selectable



Power Selectable

Caution:
Please power off the luminaire before adjusting the DIP switch.
Please do not use metal tool to adjust the DIP switch.
Please adjust the switch gently.

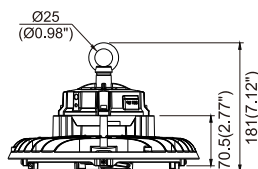


Selectable

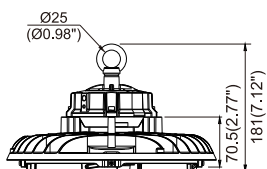
100%(±10%)	200W	150W	120W	100W
80%(±10%)	160W	120W	96W	80W
60%(±10%)	120W	90W	72W	60W

Physical Dimensions(Unit: mm/inch)

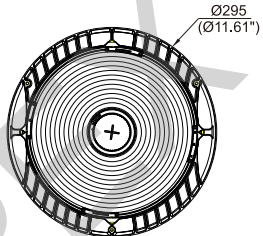
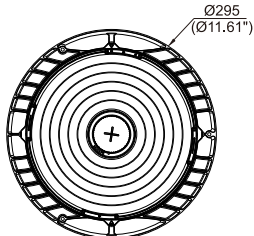
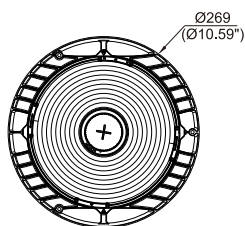
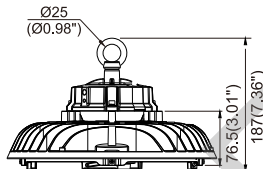
100W



120W/150W

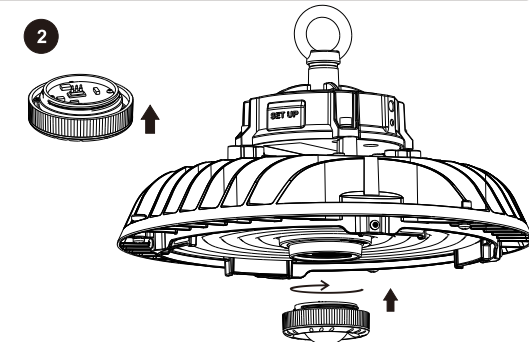
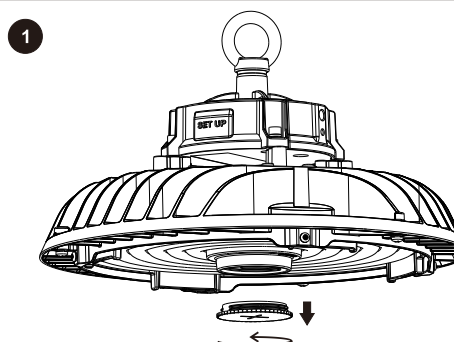


200W



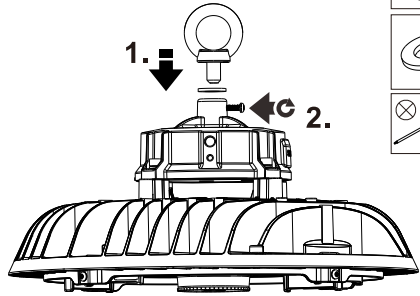
Product Specifications	100W	120W/150W	200W
Input Voltage	100-277 VAC / 120-277 VAC/100-240 VAC / 220-240 VAC (Subject to the input voltage on nameplate)		
Power Frequency	50 / 60 Hz		
Outlook Dimensions	Ø269x181mm(Ø10.59"x7.12")	Ø295x181mm(Ø11.61"x7.12")	Ø295x187mm(Ø11.61"x7.36")
Luminaire Net Weight	1.9±0.3kg(4.19±0.66Lbs)	2.2±0.3kg(4.85±0.66Lbs)	2.6±0.3kg(5.73±0.66Lbs)
Working Temperature	-30°C to +50°C(-22°F to +122°F)		
Storing Temperature	-40°C to +70°C(-40°F to +158°F)		

Sensor Mount



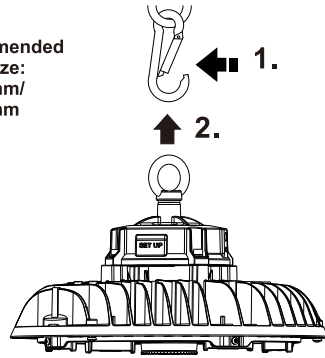
Suspension Mount

1. Make sure the screws are tightened

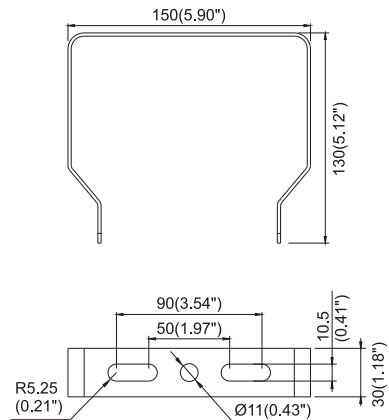


- 2.

Recommended Hook Size:
Ø6x60mm/
Ø8x80mm

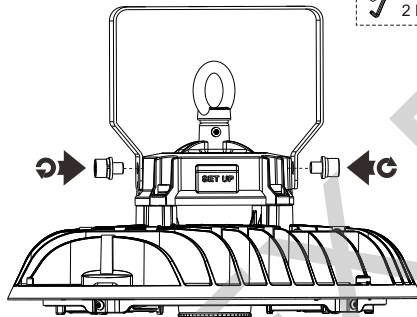


Ceiling Mount(Unit: mm/inch)

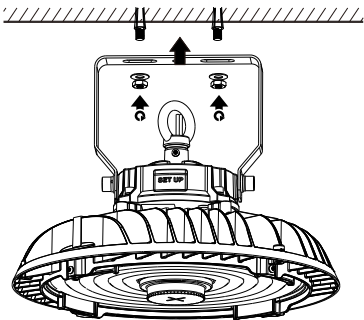


- 1.

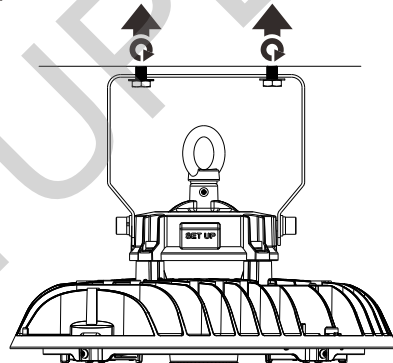
M5x20
2PCS
2 Nm



- 2.

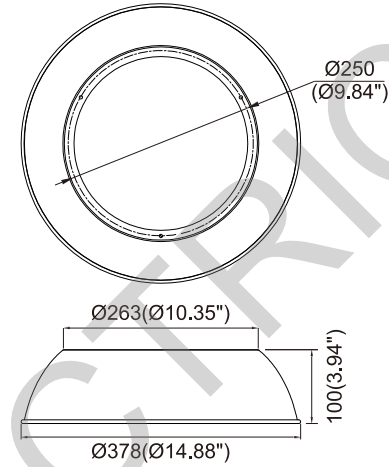


- 3.

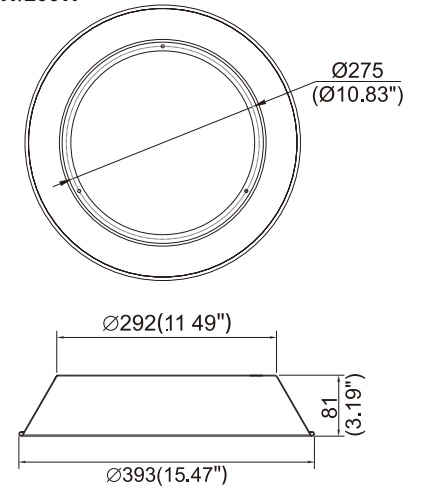


Aluminum Reflector(Unit: mm/inch)

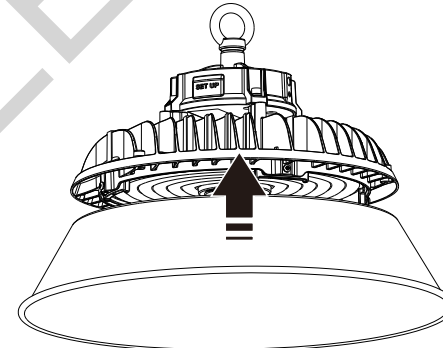
100W/120W



150W/200W

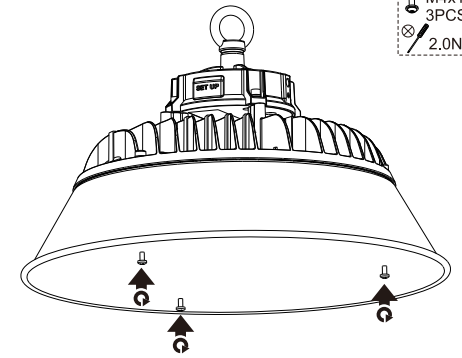


- 1.



- 2.

M4x12
3PCS
2.0Nm



Dimmable

⊙	DIM+/DA1	purple	or	purple	or	blue	or	brown	or	black	or	red
⊙	DIM-/DA2	gray	or	pink	or	white	or	blue	or	gray	or	orange
⊙	DIM+/DA1	purple	or	purple	or	purple	or	purple	or	purple	or	purple
⊙	DIM-/DA2	gray	or	pink	or	gray	or	pink	or	pink	or	pink
⊙	Aux 12Vdc +	pink	or	black/white	or	black/white	or	black/white	or	red	or	red
⊙	DIM+/DA1	purple	or	purple	or	purple	or	purple	or	purple	or	purple
⊙	DIM-/DA2	gray	or	pink	or	pink	or	pink	or	pink	or	pink
⊙	Aux 12Vdc +	pink	or	black/white	or	black/white	or	black/white	or	orange	or	orange
⊙	Aux 12Vdc -	black/white	or	blue/white	or	black/white	or	orange	or	orange	or	orange
⊙	L	brown	or	black	or	black	or	black	or	black	or	black
⊙	N	blue	or	white	or	white	or	white	or	white	or	white
⊙	⊙GND	yellow/green	or	green	or	green	or	green	or	green	or	green
⊙	DIM+/DA1	black	or	red	or	red	or	red	or	red	or	red
⊙	DIM-/DA2	gray	or	orange	or	orange	or	orange	or	orange	or	orange

L brown black
N blue white
⊙GND yellow/green green

- Don't wire dim cord to high voltage, avoid dim function fail.
- Installation height recommends to be above 4 meters and indoor application.
- We highly suggest users to maintain and clean dust from the luminaire regularly, to keep its lifespan.
- If the external flexible cable or cord of this luminaire is damaged, it shall be exclusively replaced by the manufacturer or his service agent or a similar qualified person in order to avoid a hazard.



Warning! do not wire dim cord to high voltage, or dim function will fail.