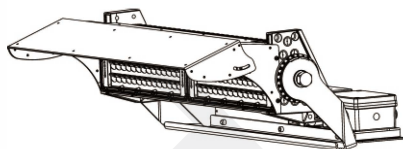


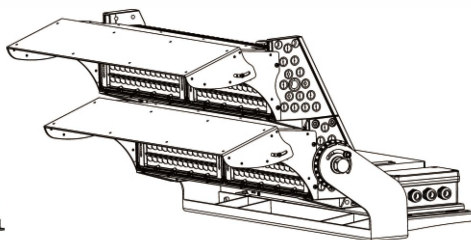
TUPEX ATLETICO

LED Sports Light

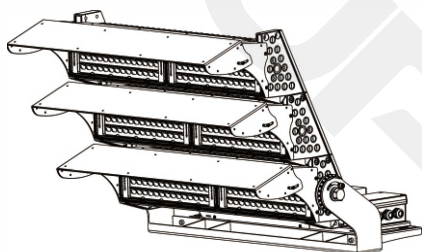
Installation Instructions



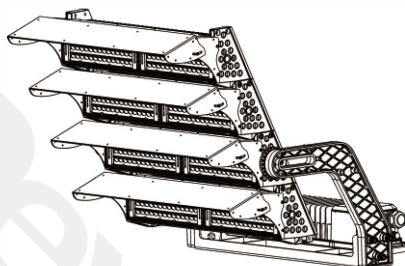
400W



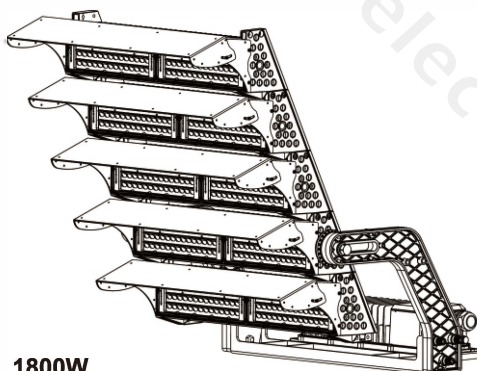
800W



1200W



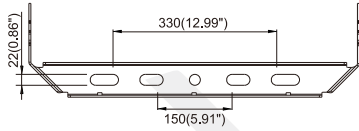
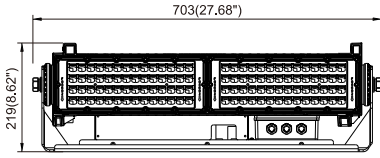
1600W



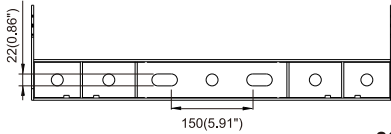
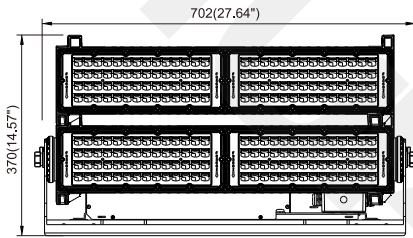
1800W



Physical Dimensions(Unit: mm/inch)

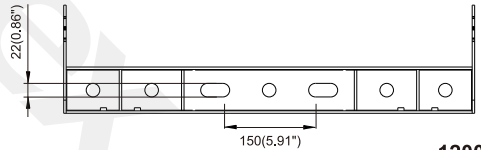
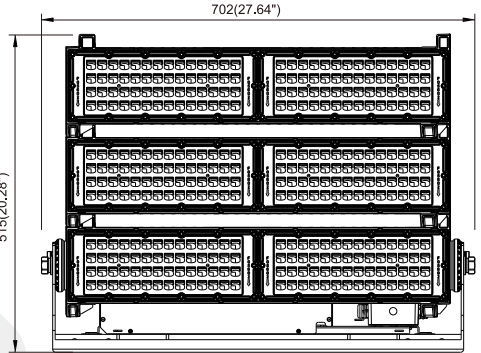
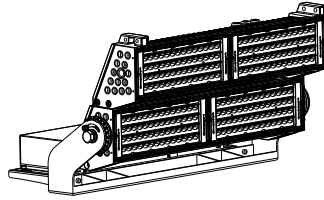


400W

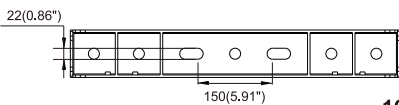
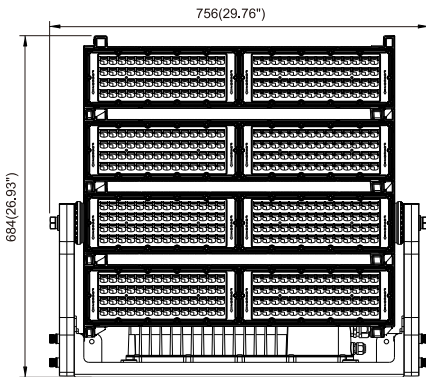


800W

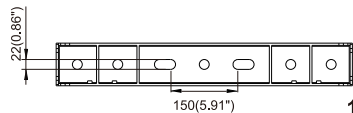
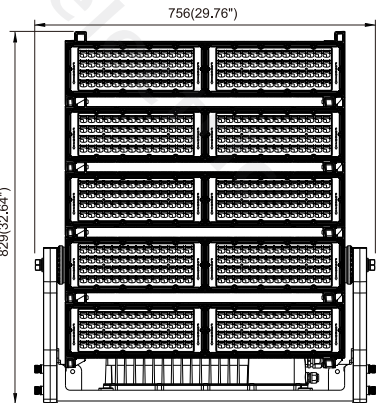
Vertical Heading



1200W

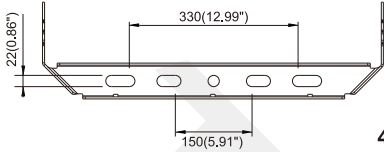
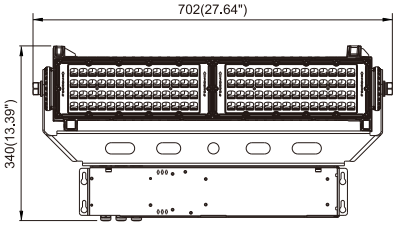
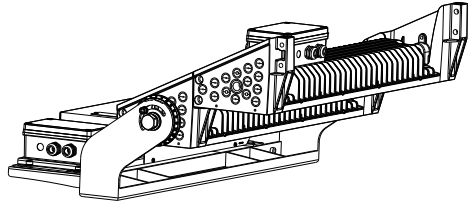


1600W

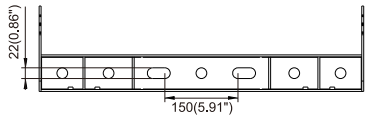
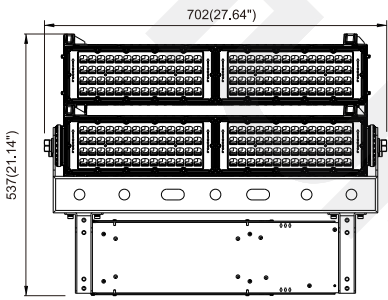


1800W

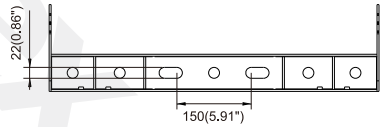
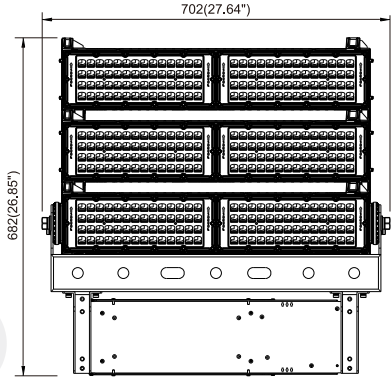
Horizontal Heading



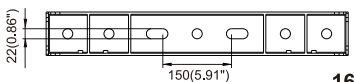
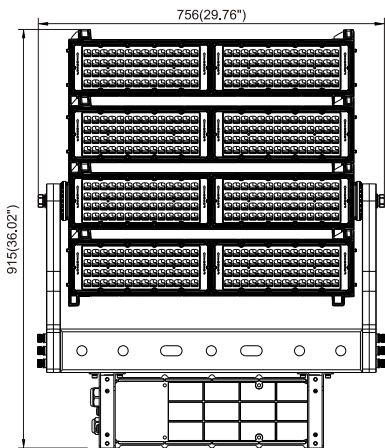
400W



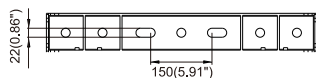
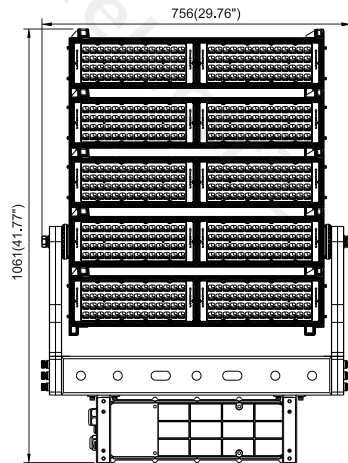
800W



1200W



1600W



1800W

Lamp Type	Lens Type	CCT	CRI	Flux (lm±10%)	W ±5%	Input Voltage	Outdoor Ta°C	Indoor Ta°C	With Driver Box	Without Driver Box
SP01-1K8	F05602/F05603	5700K	70	240000	1800	200-420Vac	-40°C to +50°C	30°C	36kg	30kg
SP01-1K8	F05601/F05605/F05606/F05607	5700K	70	240000	1800	200-420Vac	-40°C to +50°C	30°C	36kg	30kg
SP01-1K8	F05602/F05603	5700K	80	220000	1800	200-420Vac	-40°C to +50°C	30°C	36kg	30kg
SP01-1K8	F05601/F05605/F05606/F05607	5700K	80	220000	1800	200-420Vac	-40°C to +50°C	30°C	36kg	30kg
SP01-1K8	F05602/F05603	5700K	90	200000	1800	200-420Vac	-40°C to +50°C	30°C	36kg	30kg
SP01-1K8	F05601/F05605/F05606/F05607	5700K	90	200000	1800	200-420Vac	-40°C to +50°C	30°C	36kg	30kg
SP01-1K6	F05602/F05603	5700K	70	192000	1600	200-420Vac	-40°C to +50°C	30°C	32.3kg	26.3kg
SP01-1K6	F05601/F05605/F05606/F05607	5700K	70	192000	1600	200-420Vac	-40°C to +50°C	30°C	32.3kg	26.3kg
SP01-1K6	F05602/F05603	5700K	80	176000	1600	200-420Vac	-40°C to +50°C	30°C	32.3kg	26.3kg
SP01-1K6	F05601/F05605/F05606/F05607	5700K	80	176000	1600	200-420Vac	-40°C to +50°C	30°C	32.3kg	26.3kg
SP01-1K6	F05602/F05603	5700K	90	160000	1600	200-420Vac	-40°C to +50°C	30°C	32.3kg	26.3kg
SP01-1K6	F05601/F05605/F05606/F05607	5700K	90	160000	1600	200-420Vac	-40°C to +50°C	30°C	32.3kg	26.3kg
SP01-1K2	F05602/F05603	5700K	70	144000	1200	200-240Vac	-40°C to +50°C	30°C	23.3kg	16.7kg
SP01-1K2	F05601/F05605/F05606/F05607	5700K	70	144000	1200	200-240Vac	-40°C to +50°C	30°C	23.3kg	16.7kg
SP01-1K2	F05602/F05603	5700K	80	132000	1200	200-240Vac	-40°C to +50°C	30°C	23.3kg	16.7kg
SP01-1K2	F05601/F05605/F05606/F05607	5700K	80	132000	1200	200-240Vac	-40°C to +50°C	30°C	23.3kg	16.7kg
SP01-1K2	F05602/F05603	5700K	90	120000	1200	200-240Vac	-40°C to +50°C	30°C	23.3kg	16.7kg
SP01-1K2	F05601/F05605/F05606/F05607	5700K	90	120000	1200	200-240Vac	-40°C to +50°C	30°C	23.3kg	16.7kg
SP01-800	F05602/F05603	5700K	70	96000	800	200-240Vac	-40°C to +50°C	30°C	18.4kg	13kg
SP01-800	F05601/F05605/F05606/F05607	5700K	70	96000	800	200-240Vac	-40°C to +50°C	30°C	18.4kg	13kg
SP01-800	F05602/F05603	5700K	80	88000	800	200-240Vac	-40°C to +50°C	30°C	18.4kg	13kg
SP01-800	F05601/F05605/F05606/F05607	5700K	80	88000	800	200-240Vac	-40°C to +50°C	30°C	18.4kg	13kg
SP01-800	F05602/F05603	5700K	90	80000	800	200-240Vac	-40°C to +50°C	30°C	18.4kg	13kg
SP01-800	F05601/F05605/F05606/F05607	5700K	90	80000	800	200-240Vac	-40°C to +50°C	30°C	18.4kg	13kg
SP01-400	F05602/F05603	5700K	70	48000	400	200-240Vac	-40°C to +50°C	30°C	9.9kg	6.3kg
SP01-400	F05601/F05605/F05606/F05607	5700K	70	48000	400	200-240Vac	-40°C to +50°C	30°C	9.9kg	6.3kg
SP01-400	F05602/F05603	5700K	80	44000	400	200-240Vac	-40°C to +50°C	30°C	9.9kg	6.3kg
SP01-400	F05601/F05605/F05606/F05607	5700K	80	44000	400	200-240Vac	-40°C to +50°C	30°C	9.9kg	6.3kg
SP01-400	F05602/F05603	5700K	90	40000	400	200-240Vac	-40°C to +50°C	30°C	9.9kg	6.3kg
SP01-400	F05601/F05605/F05606/F05607	5700K	90	40000	400	200-240Vac	-40°C to +50°C	30°C	9.9kg	6.3kg

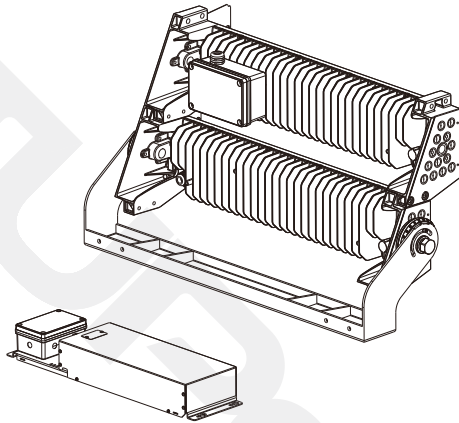
Ta(°C) Life	25°C	30°C	45°C
L70	178000	168000	151000
L80	111000	105000	95000
L90	54000	52000	50000

Unit: hrs

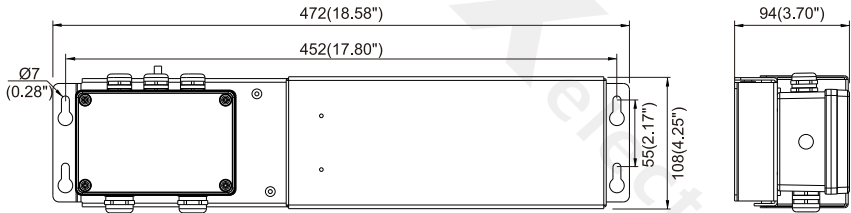
Please read the relevant data carefully, which may be helpful for your installation

Driver Box Mount(Unit: mm/inch)

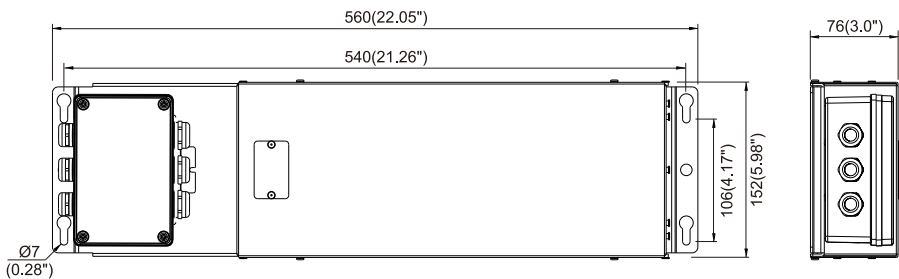
1. ✖



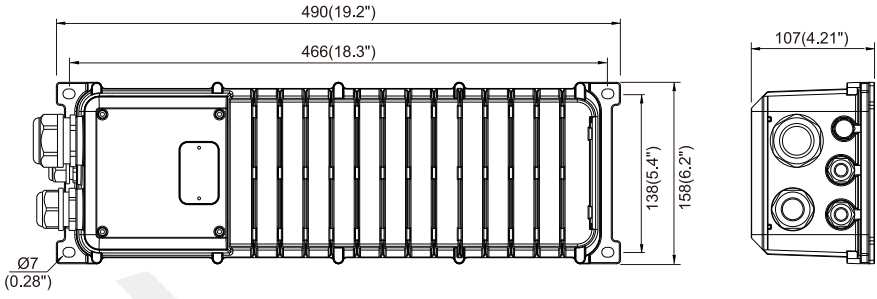
400W



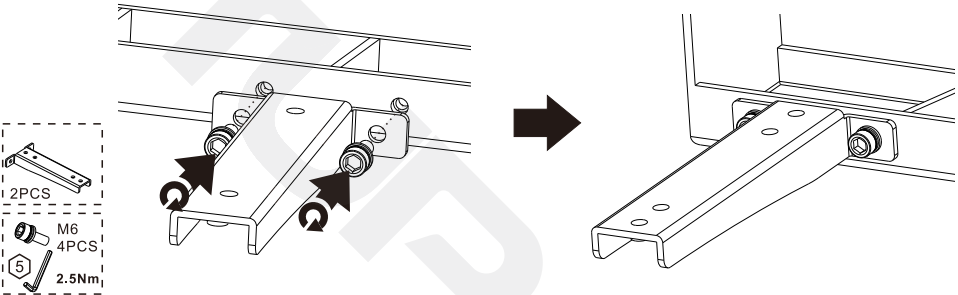
800W-1200W



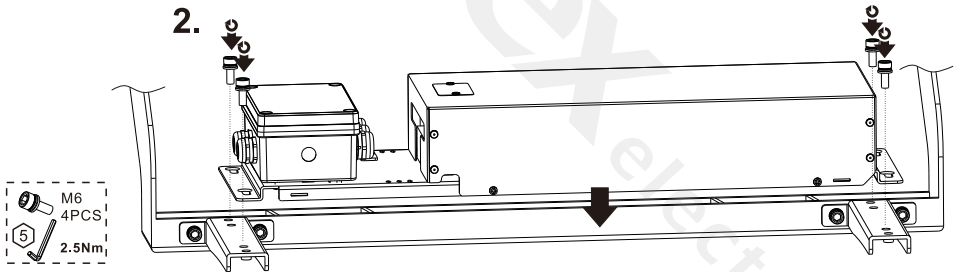
1600W-1800W



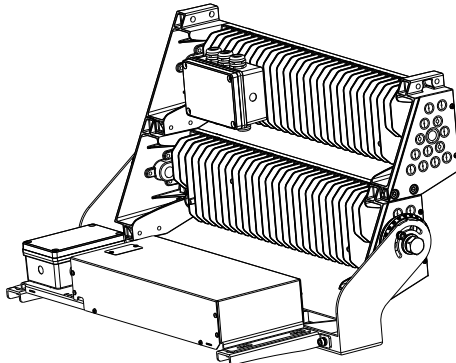
2. ✖



3. ✖



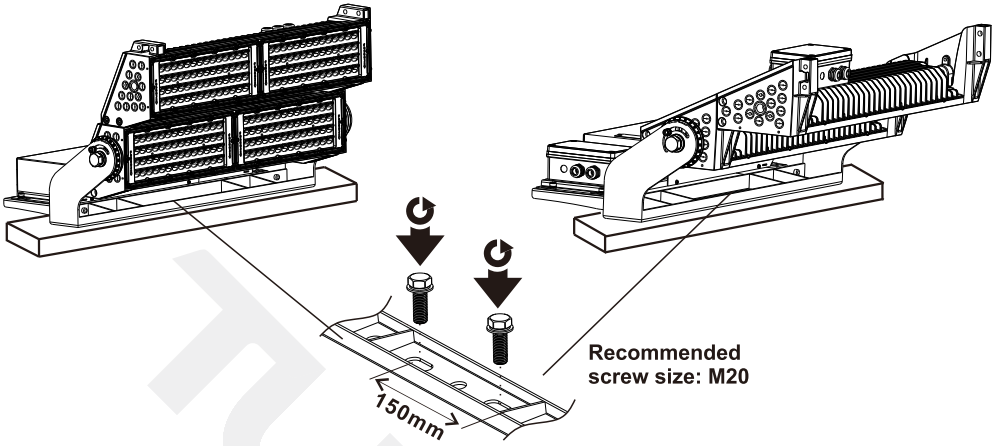
4. ✖



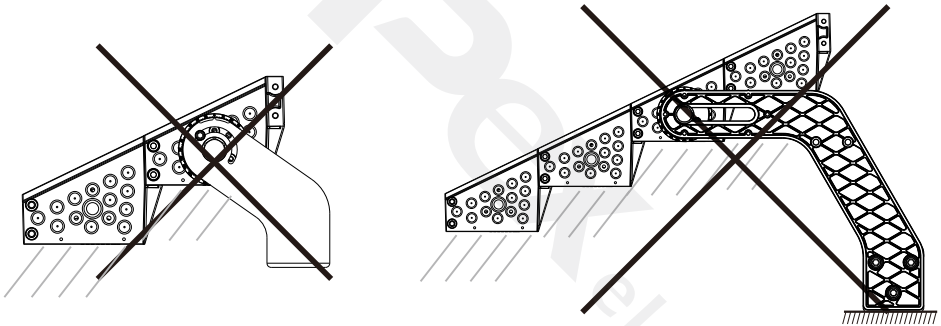
Complete Fixture Mount

Vertical Heading

Horizontal Heading

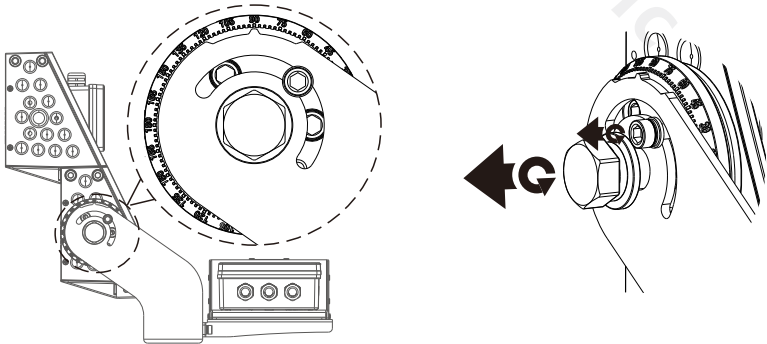


Positions Not Allowed



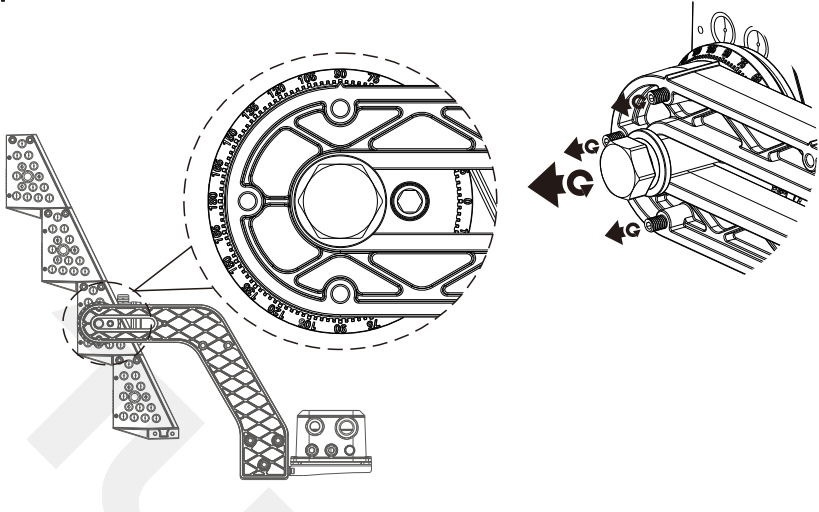
Rotatable Angle

400W/800W/1200W



- 5 2.5Nm
- 24 114Nm

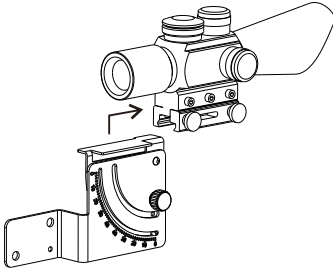
1600W/1800W



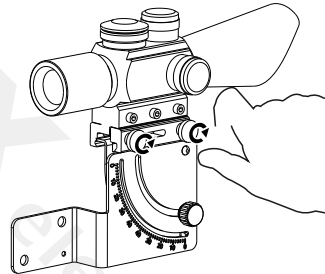
Aiming Device Mount

*Laser sight and bracket need to be purchased separately

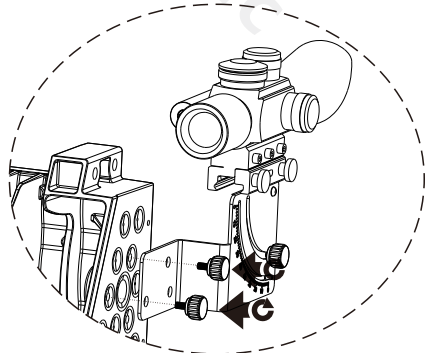
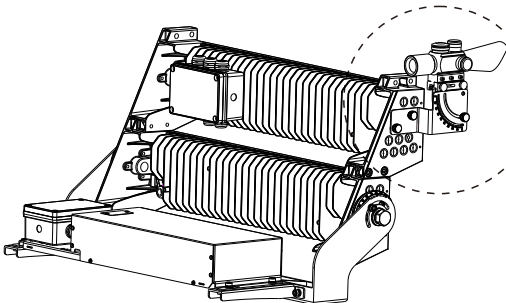
1. ✖

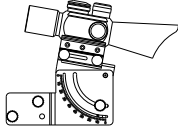
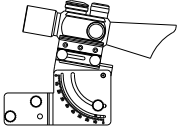
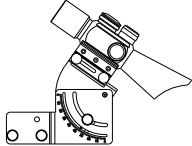
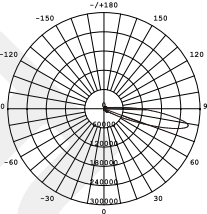
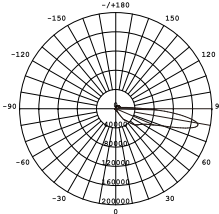
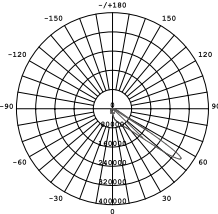


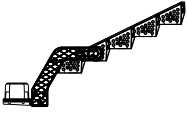


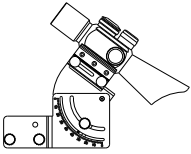
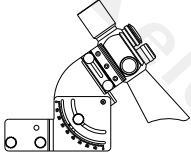
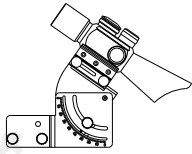
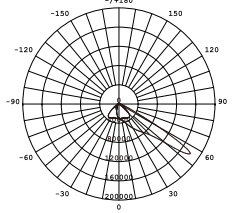
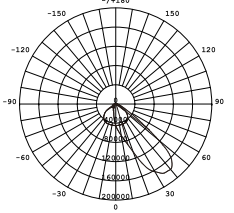
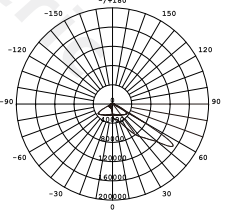
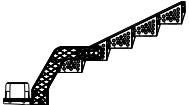


2. ✖



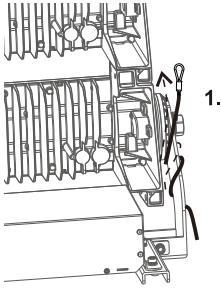
3. ✖



Lens Type	F05602	F05603	F05601
Mounting Angle (Aiming Devise Bracket)	11°	11°	54°
Photometric Data (For Mounting Angle)			
Photometric Data (For Lens)			
Luminaire mounting type	 Vertical heading	 Vertical heading	 Horizontal heading

Lens Type	F05605	F05606	F05607
Mounting Angle (Aiming Devise Bracket)	57°	40°	57°
Photometric Data (For Mounting Angle)			
Photometric Data (For Lens)			
Luminaire mounting type	 Horizontal heading	 Horizontal heading	 Horizontal heading

Safety Rope Mount

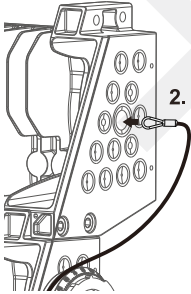
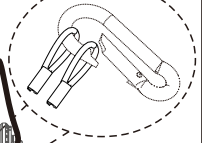


1.

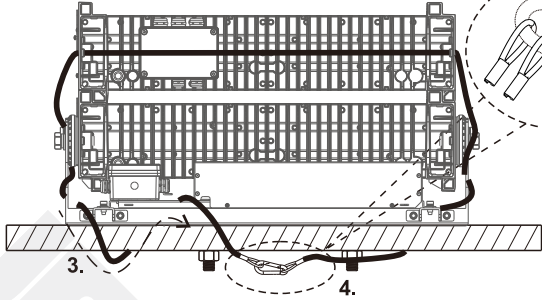


Safety steel wire rope
Size: $\phi 3\text{mm} \times 3\text{m}$

Rigging keychain
Size: $\phi 8\text{mm} \times 80\text{mm}$



2.



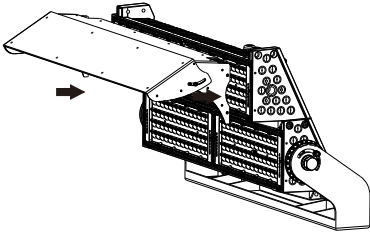
3.

4.

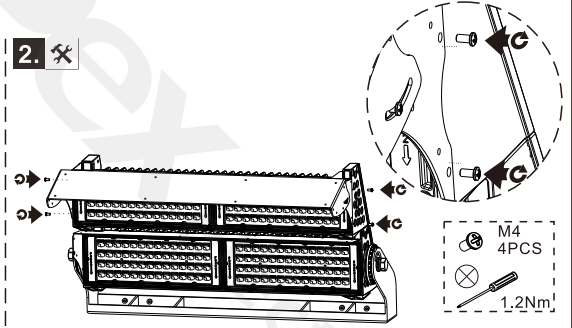
Visor Mount

*Visor need to be purchased separately

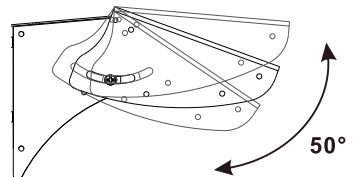
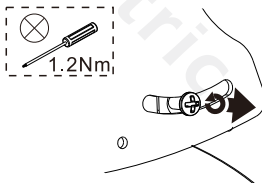
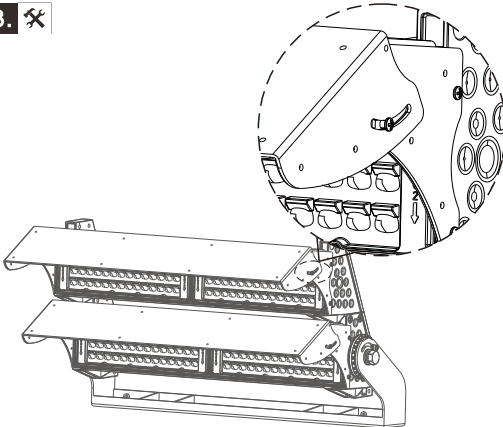
1. ✂ Vertical Heading



2. ✂

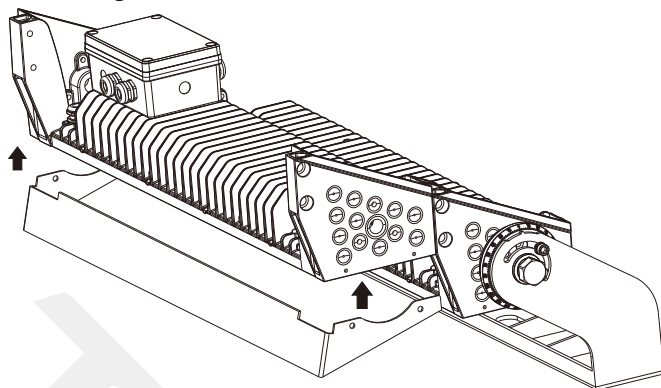


3. ✂

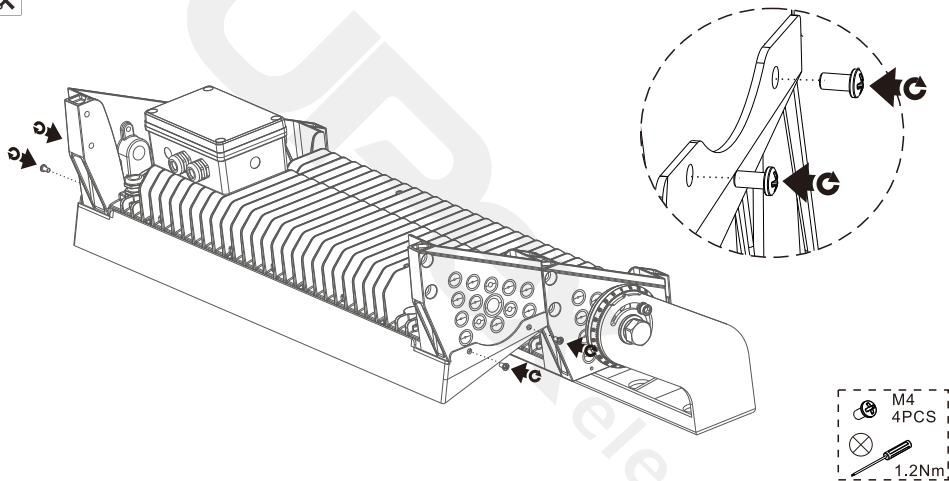


50°

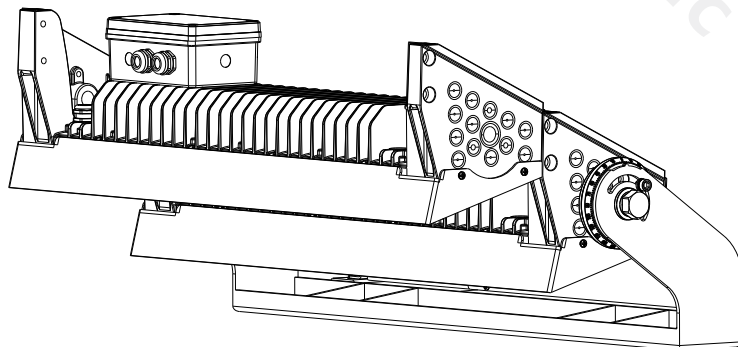
1. ✂ Horizontal Heading



2. ✂

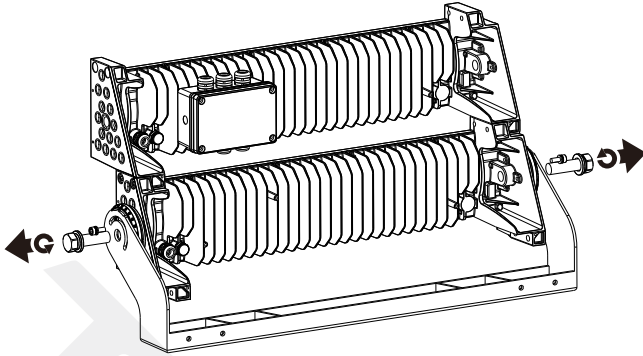


3. ✂

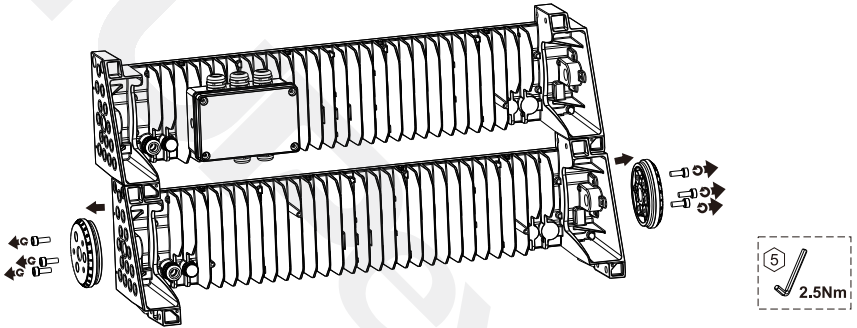


Ceiling Mount With Vertical Heading

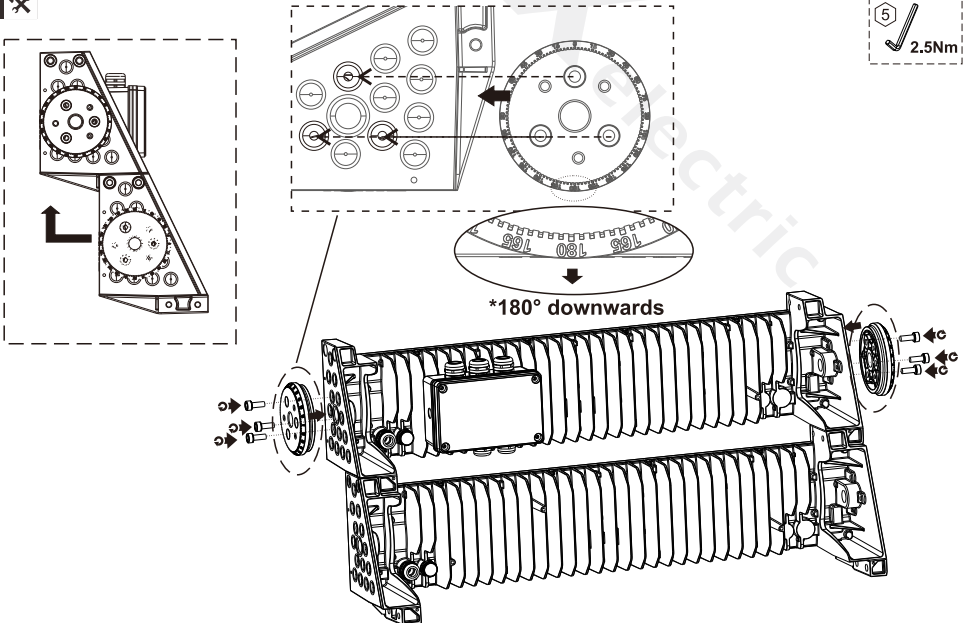
1. ✖



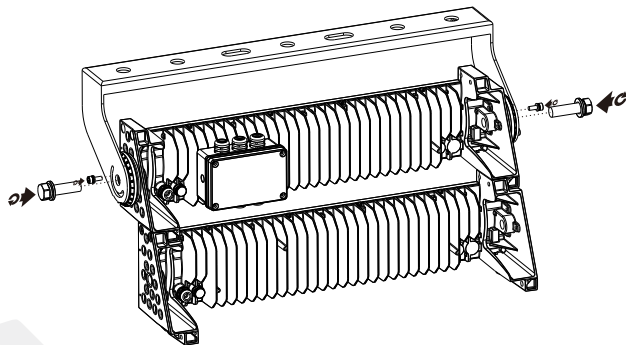
2. ✖



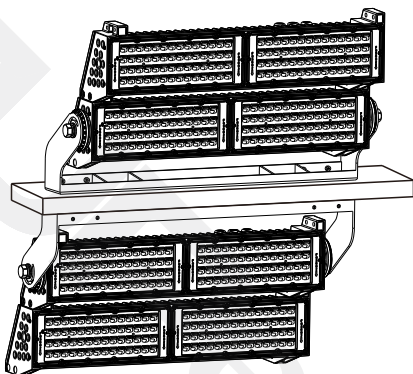
3. ✖



4. ✖

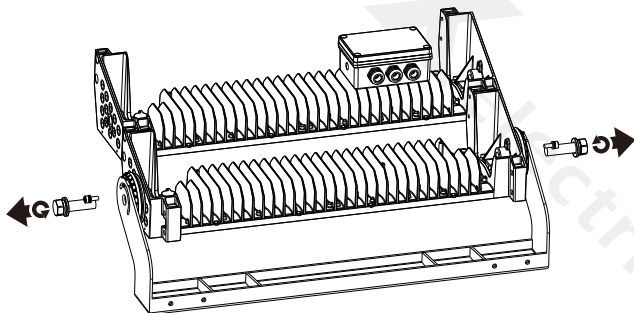


5. ✖

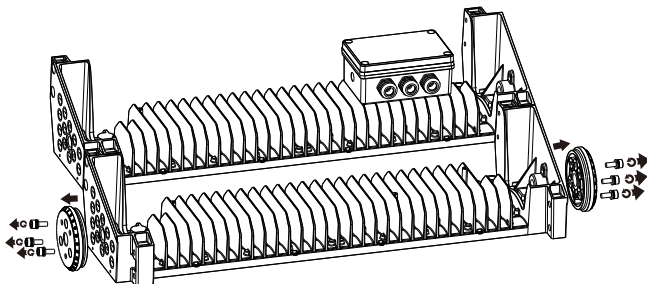


Ceiling Mount With Horizontal Heading

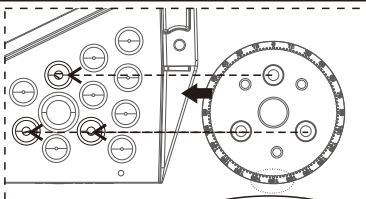
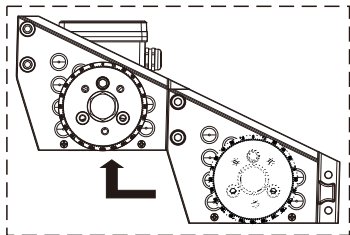
1. ✖



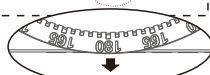
2. ✖



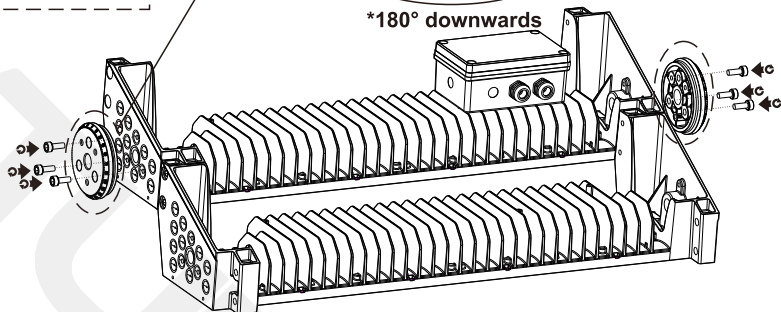
3. ✖



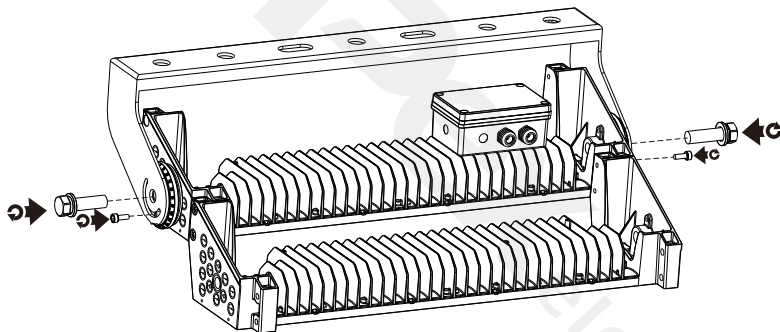
5
2.5Nm



*180° downwards

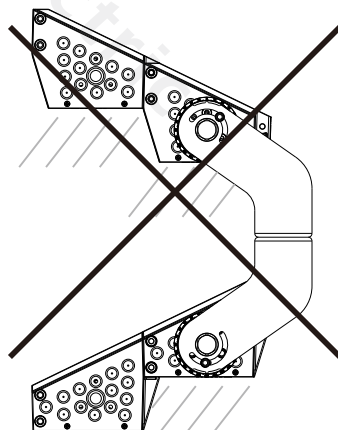
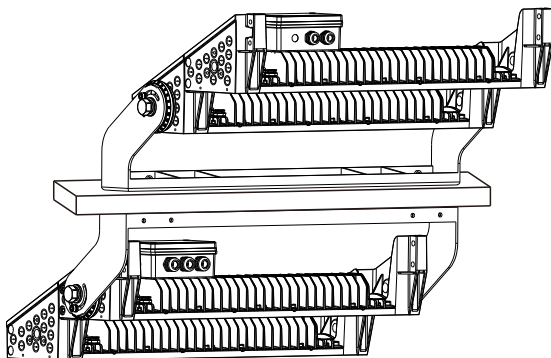


4. ✖



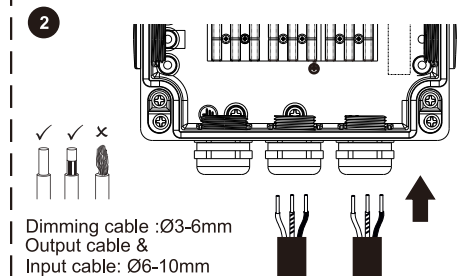
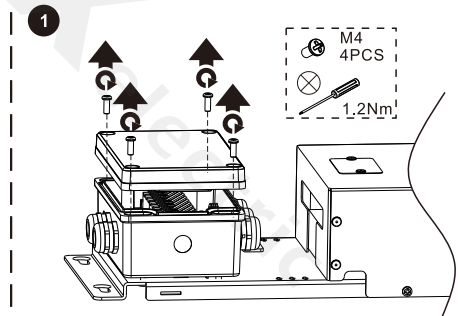
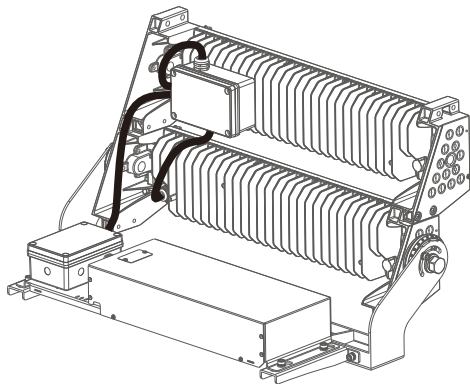
5
2.5Nm
24
114Nm

5. ✖



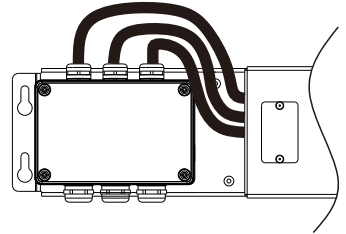
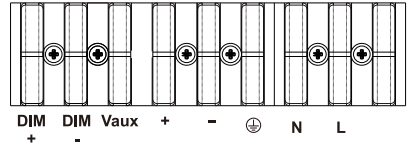
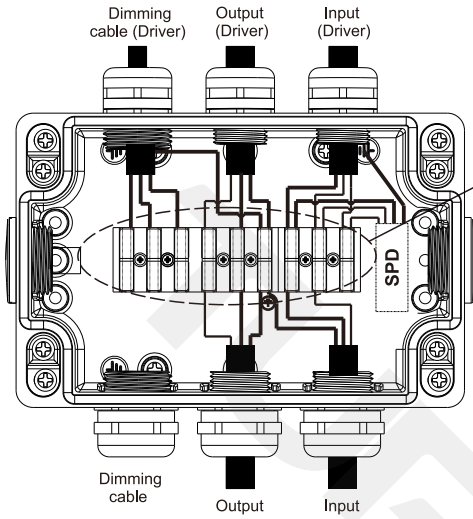
EPA (Unit: mm/ inch)							
	S	a	a=0°	a=30°	a=60°		a=90°
400W	S1		0.1m²/1.03ft²	0.12m²/1.29ft²	0.14m²/1.55ft²	0.16m²/1.68ft²	<50kg
	S2		0.23m²/2.45ft²	0.22m²/2.33ft²	0.19m²/2.07ft²	0.17m²/1.81ft²	
	S3		0.04m²/0.39ft²	0.04m²/0.39ft²	0.04m²/0.39ft²	0.04m²/0.39ft²	
800W	S1		0.12m²/1.29ft²	0.13m²/1.42ft²	0.22m²/2.33ft²	0.26m²/2.84ft²	<80kg
	S2		0.12m²/1.29ft²	0.12m²/1.29ft²	0.31m²/3.36ft²	0.24m²/2.58ft²	
	S3		0.07m²/0.78ft²	0.07m²/0.78ft²	0.07m²/0.78ft²	0.07m²/0.78ft²	
1200W	S1		0.14m²/1.55ft²	0.14m²/1.55ft²	0.29m²/3.10ft²	0.35m²/3.75ft²	<100kg
	S2		0.48m²/5.17ft²	0.47m²/5.04ft²	0.38m²/4.13ft²	0.26m²/2.84ft²	
	S3		0.08m²/0.9ft²	0.08m²/0.9ft²	0.08m²/0.9ft²	0.08m²/0.9ft²	
1600W	S1		0.17m²/1.81ft²	0.22m²/2.33ft²	0.42m²/4.52ft²	0.49m²/5.30ft²	<125kg
	S2		0.6m²/6.46ft²	0.58m²/6.20ft²	0.50m²/5.43ft²	0.35m²/3.75ft²	
	S3		0.14m²/1.55ft²	0.13m²/1.42ft²	0.14m²/1.55ft²	0.16m²/1.68ft²	
1800W	S1		0.2m²/2.2ft²	0.23m²/2.45ft²	0.5m²/5.43ft²	0.58m²/6.2ft²	<145kg
	S2		0.68m²/7.36ft²	0.67m²/7.23ft²	0.58m²/6.2ft²	0.37m²/4ft²	
	S3		0.16m²/1.68ft²	0.14m²/1.55ft²	0.16m²/1.68ft²	0.17m²/1.81ft²	

Junction Box Wiring

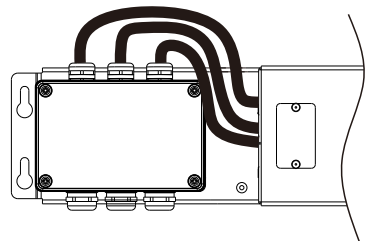
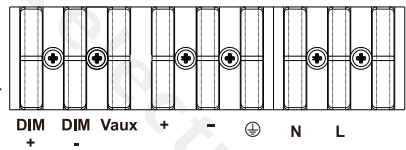
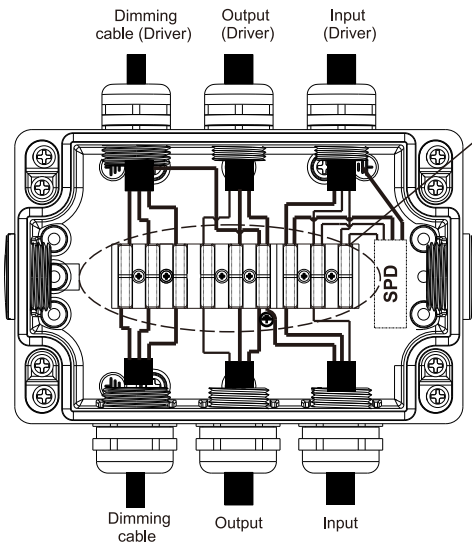


400W

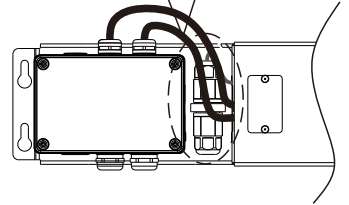
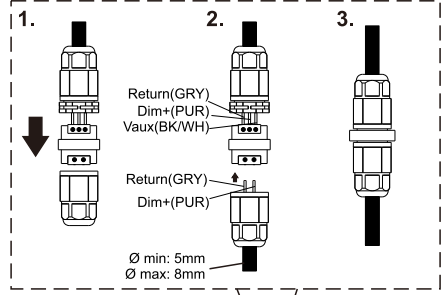
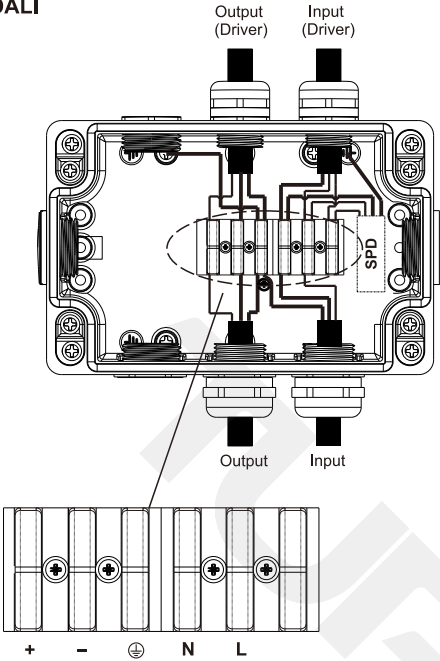
Non-dimmable



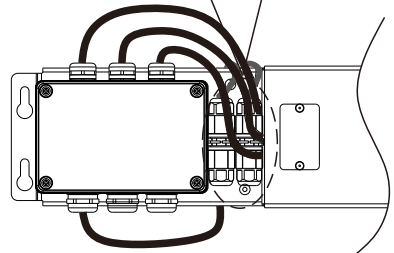
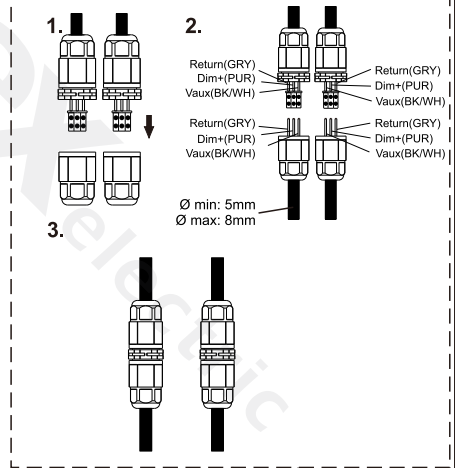
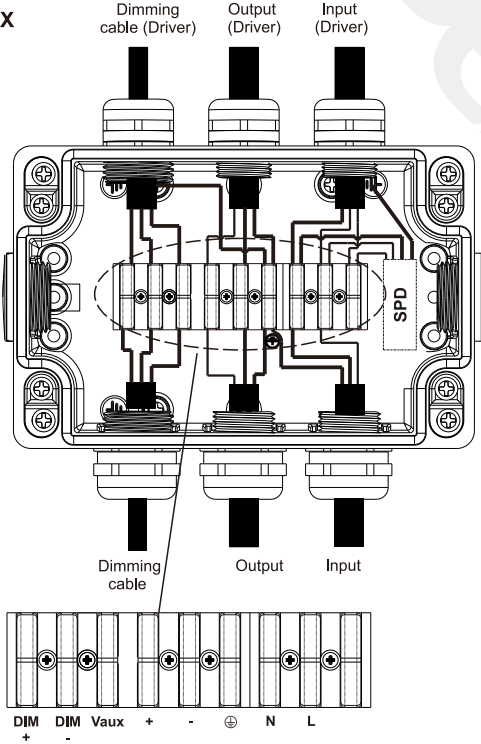
0-10V Dimmable



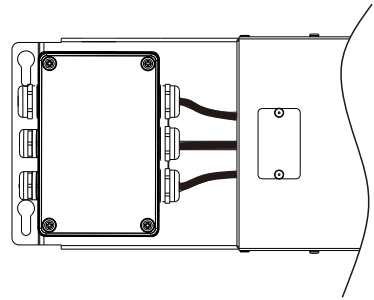
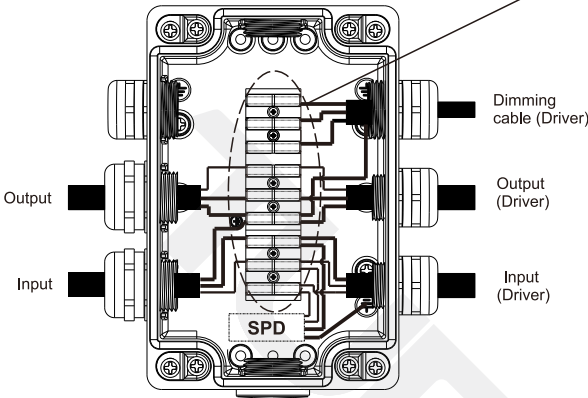
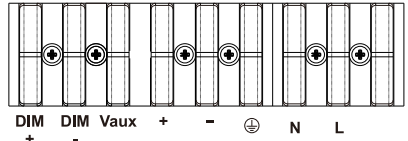
DALI



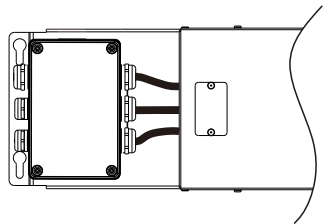
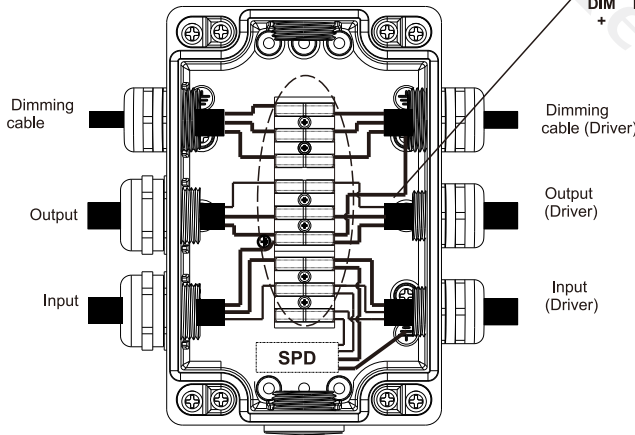
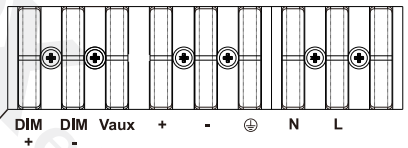
DMX



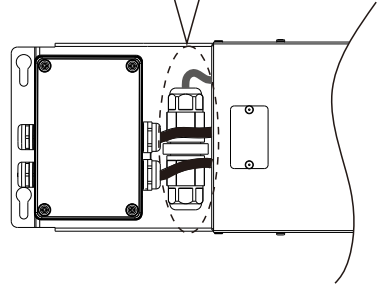
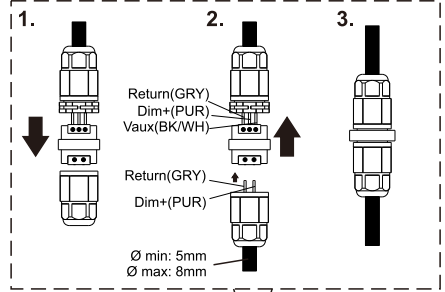
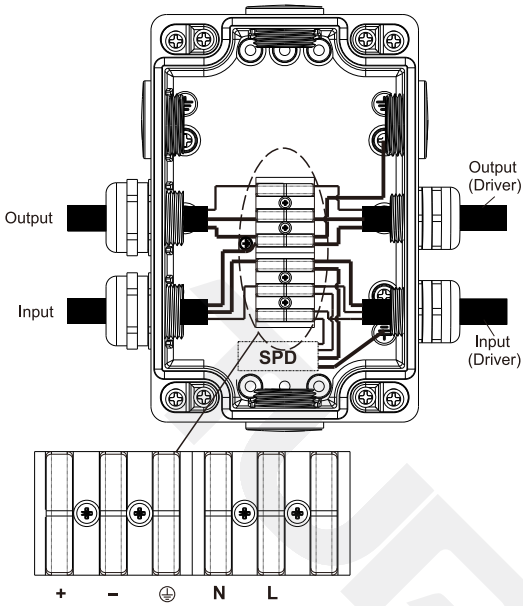
800W/1200W
Non-dimmable



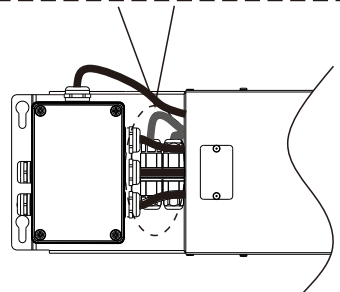
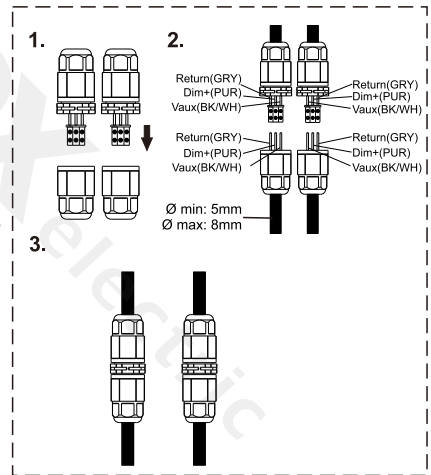
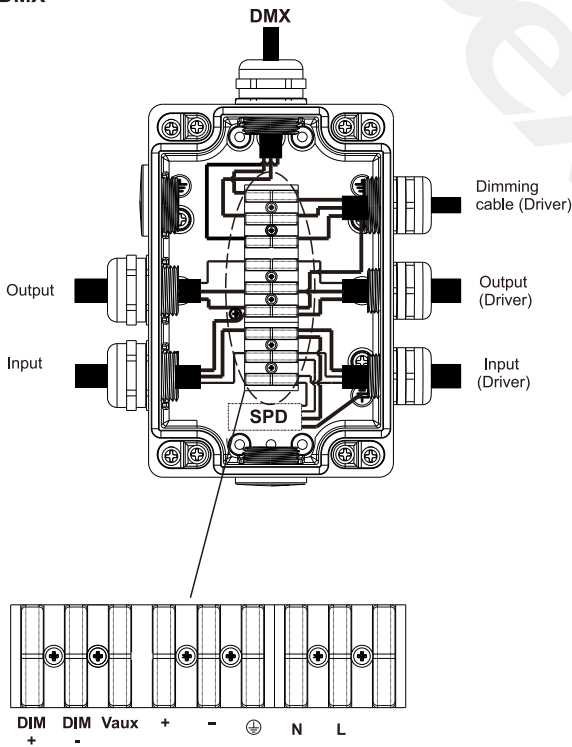
0-10V Dimmable



DALI

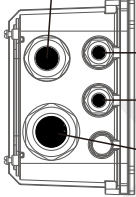


DMX



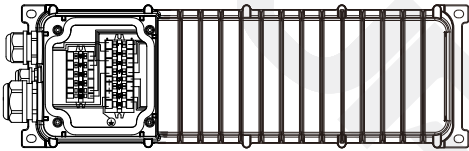
1600W/1800W

Input Section
M25 Cable gland
Clamping range:13-18mm
Tightening force:7.5NM

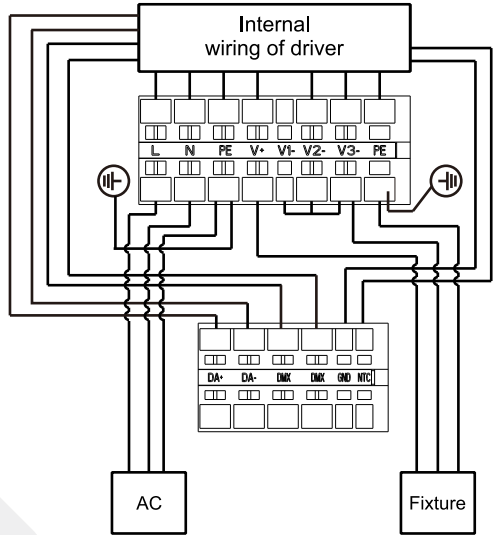


Control Section
M16 Cable gland(2X)
Clamping range:6-10mm
Tightening force:2.5NM

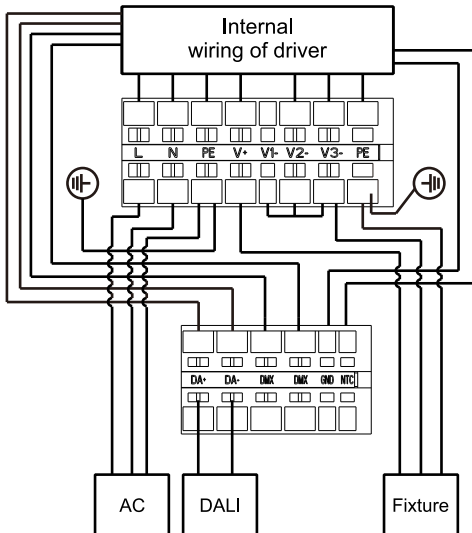
Output Section
M32 Cable gland
Clamping range:15-22mm
or 6-10mm(3X)
Tightening force:8NM



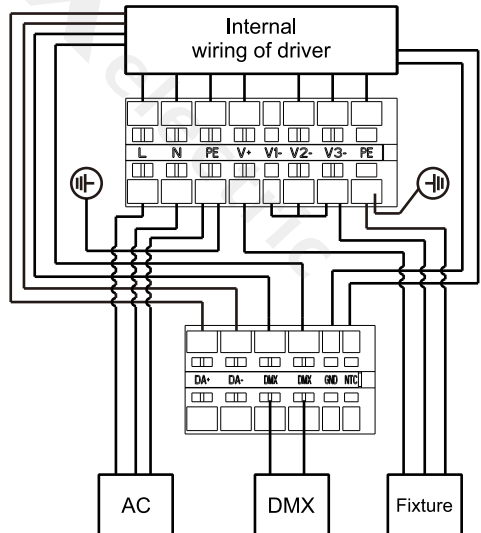
Non-dimmable



DALI & 0-10V Dimmable



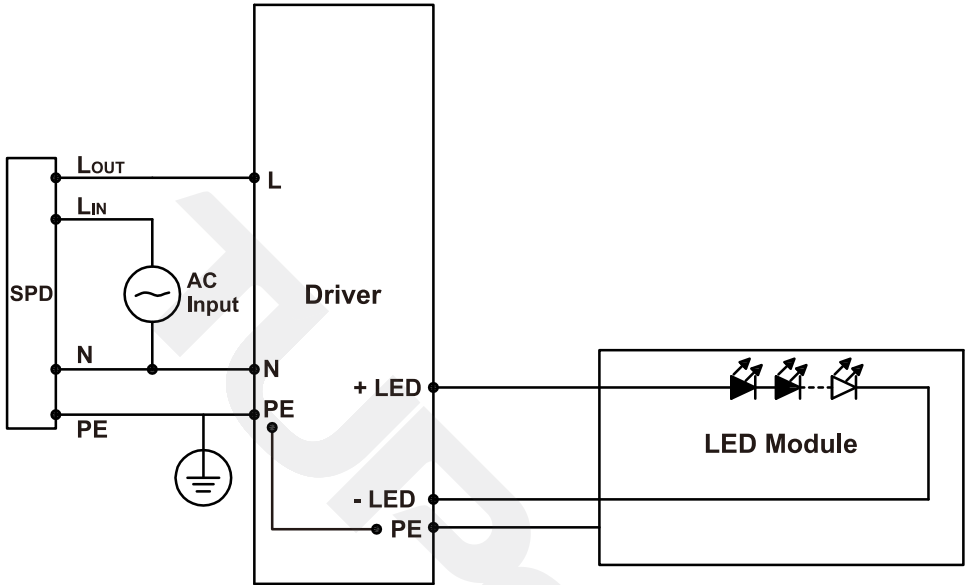
DMX



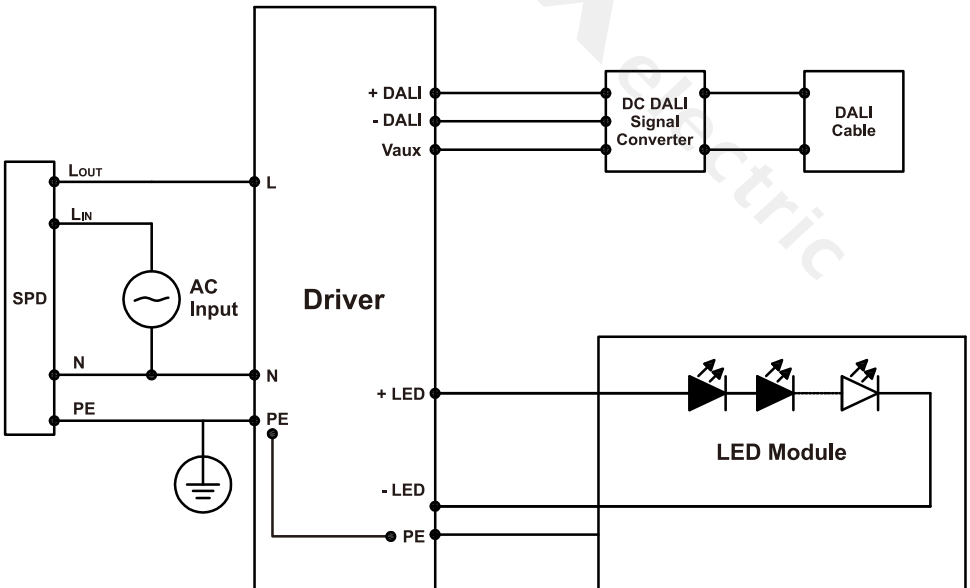
Circuit Schematic Diagram

400W-1200W

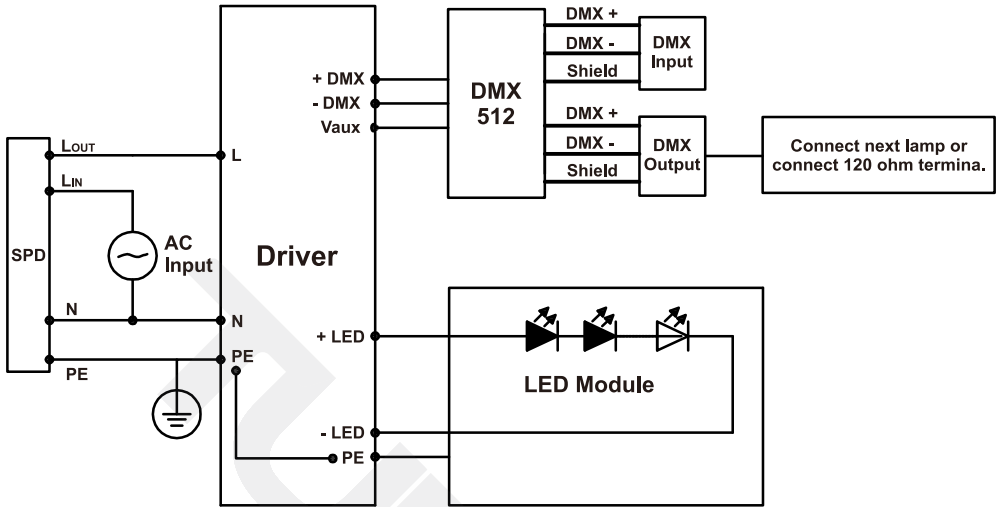
Non-Dimmable



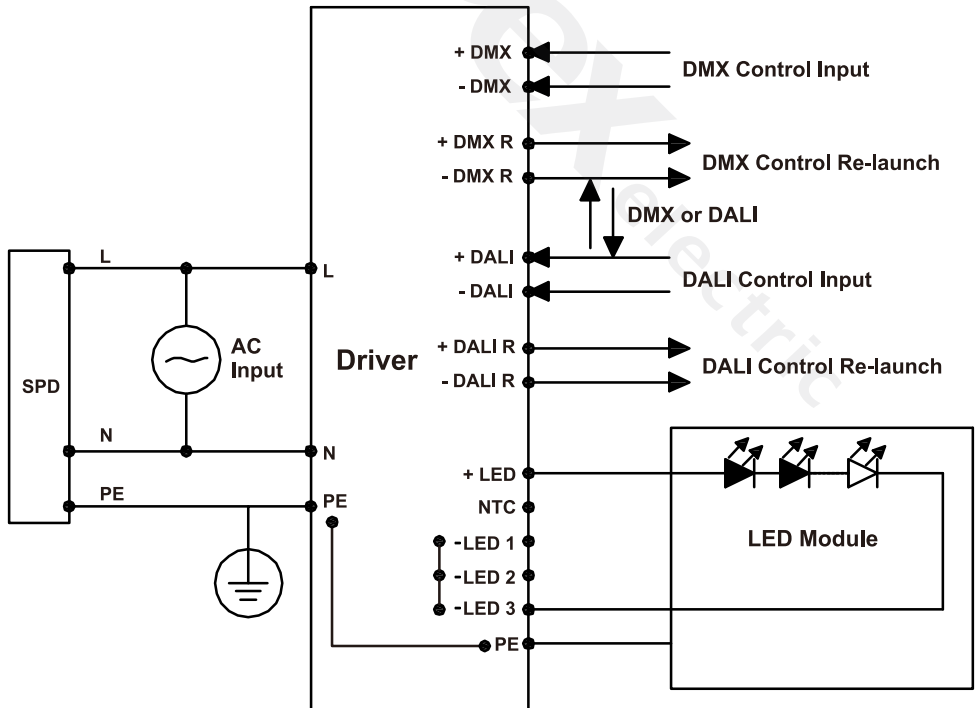
DALI



DMX

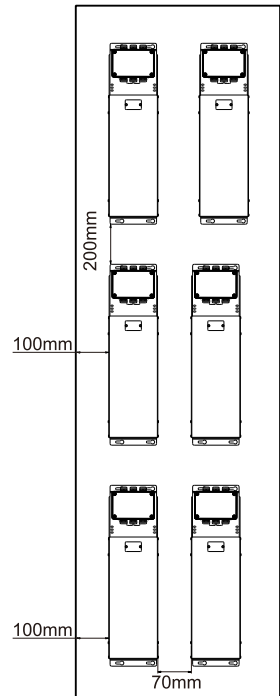
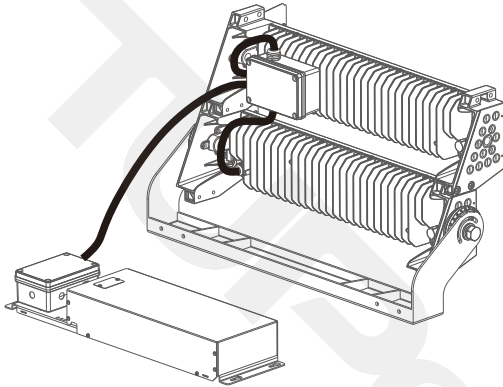


1600W-1800W



Clearance Distance

When the driver boxes are installed in a confined space, the minimum installation clearance must be ensured. Make sure that the measured temperature (5 cm far away from the driver box) is not higher than the $T_{a \max}$ temperature of the lamp. Please refer to the distance instruction on the right.



Lamp Type	MCB Type	Input Voltage	Quantity
400W	MCB B 16 Type	220-240V	2
	MCB B 32 Type	220-240V	3
	MCB C 16 Type	220-240V	4
	MCB C 32 Type	220-240V	9

Lamp Type	MCB Type	Input Voltage	Quantity
800W	MCB B 16 Type	220-240V	8
	MCB B 32 Type	220-240V	16
	MCB C 16 Type	220-240V	14
	MCB C 32 Type	220-240V	28

Lamp Type	MCB Type	Input Voltage	Quantity
1200W	MCB B 16 Type	220-240V	1
	MCB B 32 Type	220-240V	2
	MCB C 16 Type	220-240V	1
	MCB C 32 Type	220-240V	3

Lamp Type	MCB Type	Input Voltage	Quantity
1600W	MCB B 16 Type	200-420V	1
	MCB B 32 Type	200-420V	3
	MCB C 16 Type	200-420V	1
	MCB C 32 Type	200-420V	3

Lamp Type	MCB Type	Input Voltage	Quantity
1800W	MCB B 16 Type	200-420V	1
	MCB B 32 Type	200-420V	3
	MCB C 16 Type	200-420V	1
	MCB C 32 Type	200-420V	3

* Maximum number of luminaires connected.
Disclaimer: For reference only. The quantity of luminaires per circuit breaker must be based on the electrical design that prepared (& approved) by qualified electrical system design engineer.