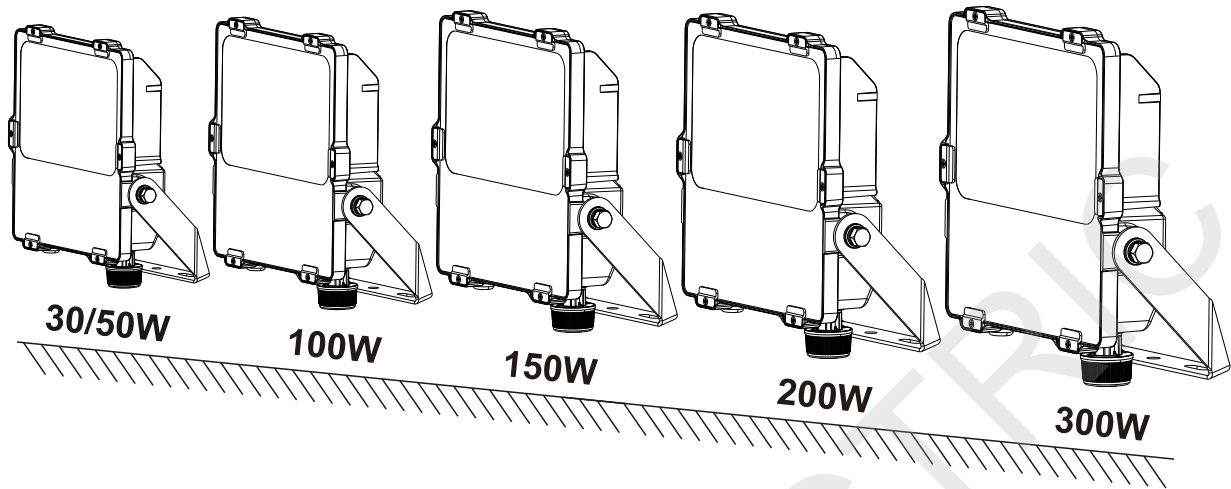


LED Flood Light

Instruction Manual

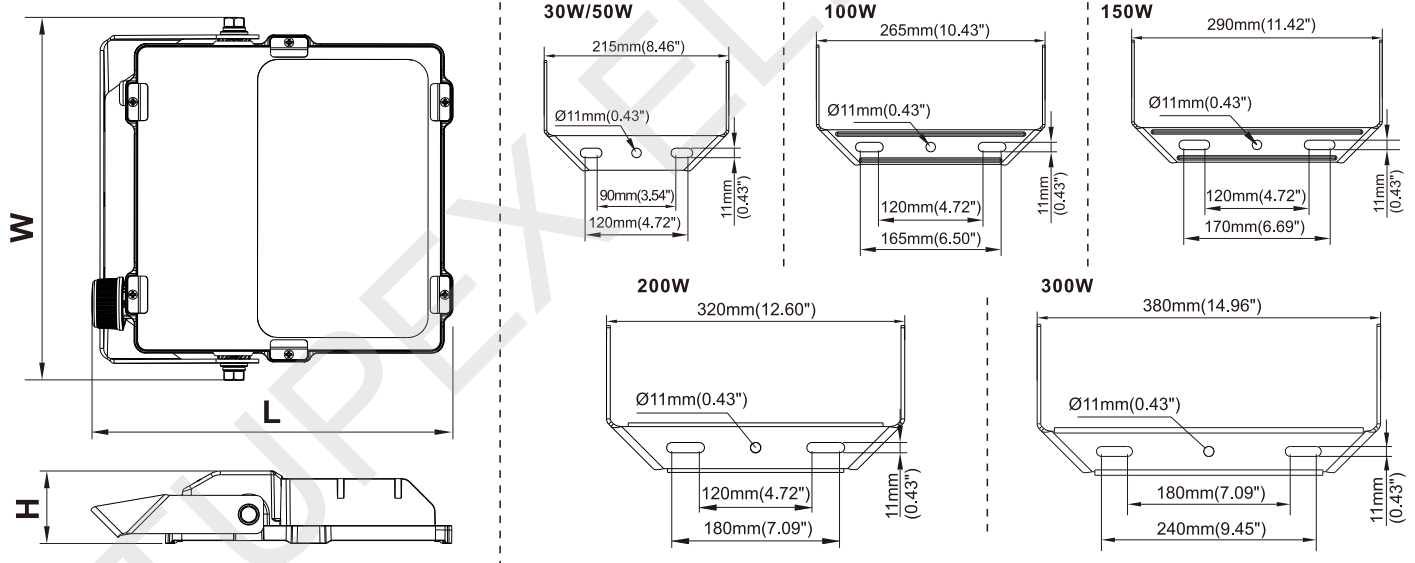
www.tupex.eu



220-240VAC
50Hz



Physical Dimensions(Unit: mm)



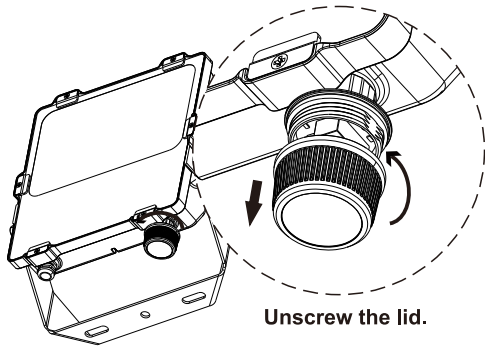
Product Specifications	30W	50W	100W	150W	200W	300W
Size (L x W x H)	300x240x69mm (11.81"x9.45"x2.72")		335x295x71mm (13.19"x11.61"x2.80")	375x320x75mm (14.76"x12.6"x2.95")	400x345x78mm (15.74"x13.58"x3.07")	464x410x83mm (18.27"x16.14"x3.27")
Weight (Driver included)	1.9±0.3kg (4.2±0.66Lbs)	2.1±0.3kg (4.6±0.66Lbs)	3.4±0.3kg (7.5±0.66Lbs)	4.5±0.3kg (9.9±0.66Lbs)	5.5±0.3kg (11.1±0.66Lbs)	8.3±0.3kg (18.3±0.66Lbs)
Effective Projected Area (EPA)	0.06m²(0.62ft²)		0.08m²(0.91ft²)	0.10m²(1.12ft²)	0.12m²(1.30ft²)	0.17m²(1.87ft²)
Input Voltage	220-240 VAC					
Power Frequency	50 Hz					
Working Temperature	-30°C to +50°C(-22°F to +122°F)					
Storing Temperature	-40°C to +70°C(-40°F to +158°F)					

LED Flood Light

Instruction Manual

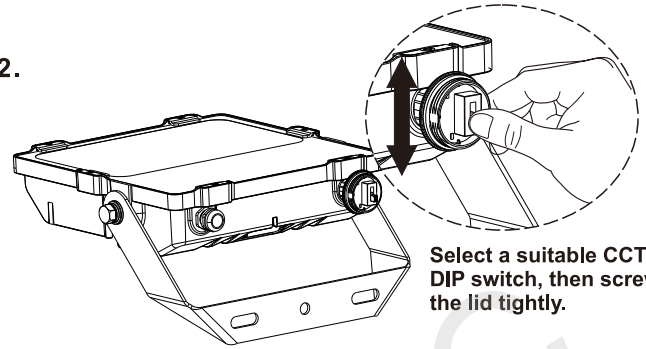
CCT adjustment method

1.



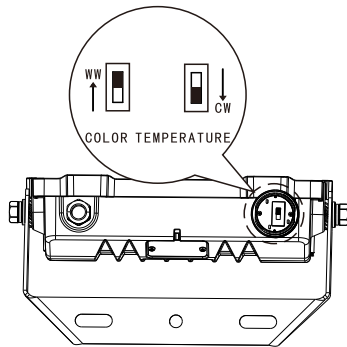
Unscrew the lid.

2.

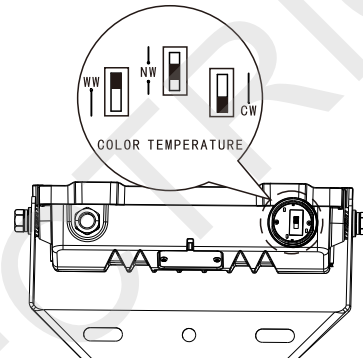


Select a suitable CCT by the DIP switch, then screw back the lid tightly.

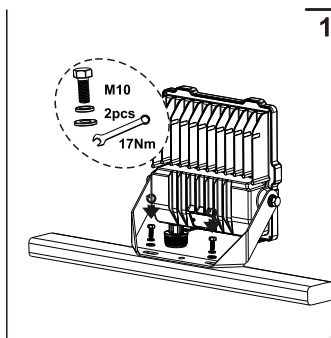
2 CCT



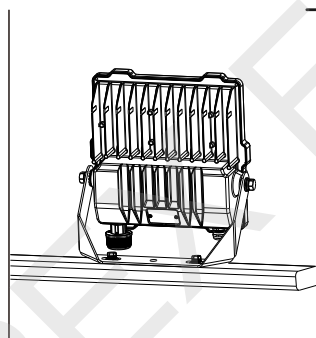
3 CCT



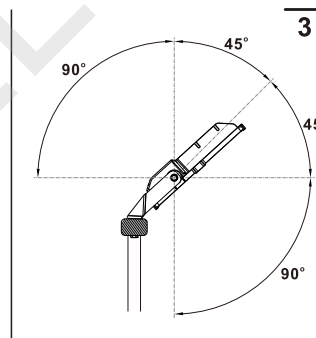
Bracket mounting



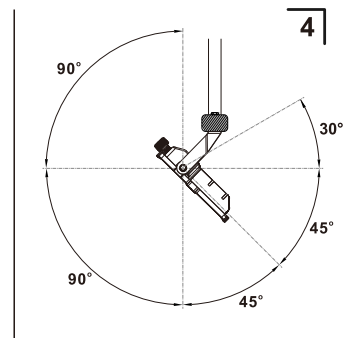
1



2

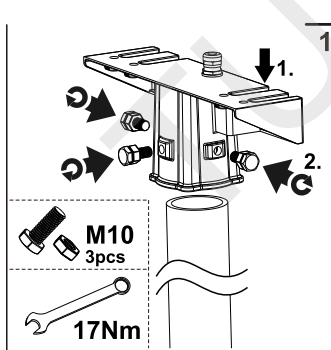


3

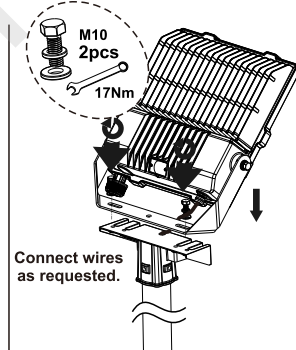


4

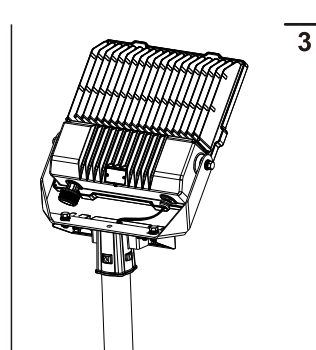
Adaptor mounting



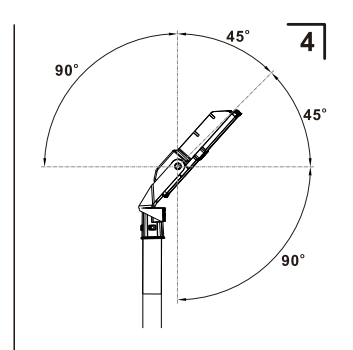
1



2



3



4

L	brown	black
N	blue	white
⊕ GND	yellow/green	green

•if the external flexible cable or cord of this luminaire is damaged, it shall be exclusively replaced by the manufacturer or his service agent or a similar qualified person in order to avoid a hazard.