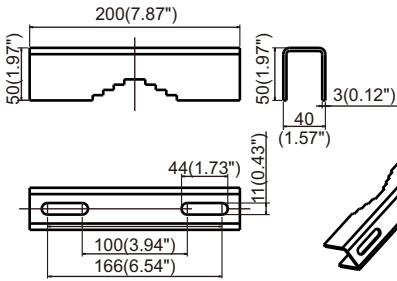


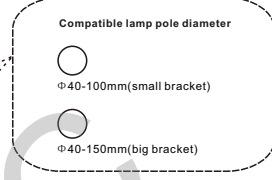
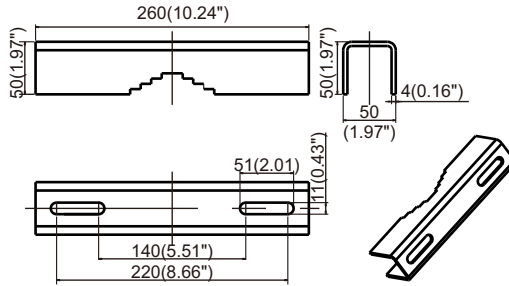
Pole clamp bracket user manual

Dimensions: mm/(inch)

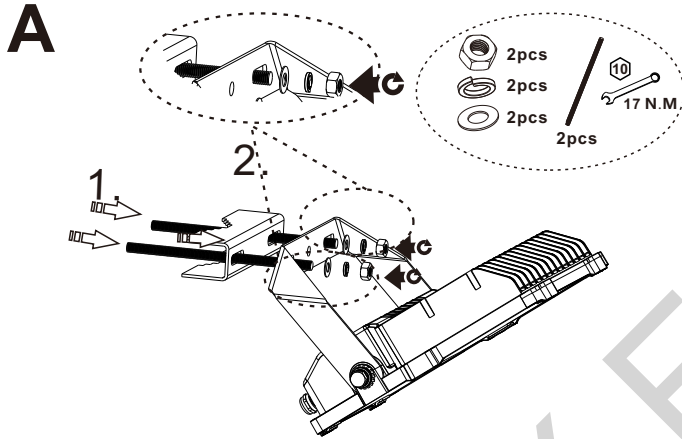
small (40-100mm pole)



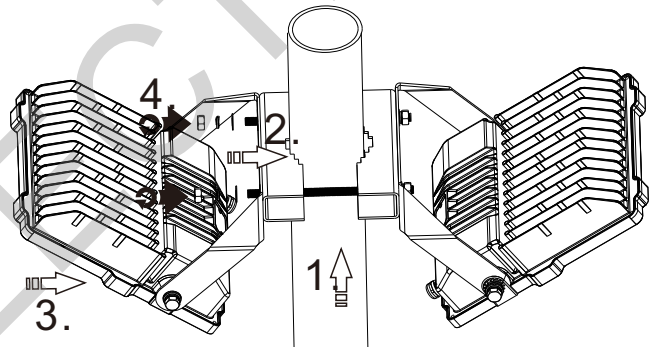
big (40-150mm pole)



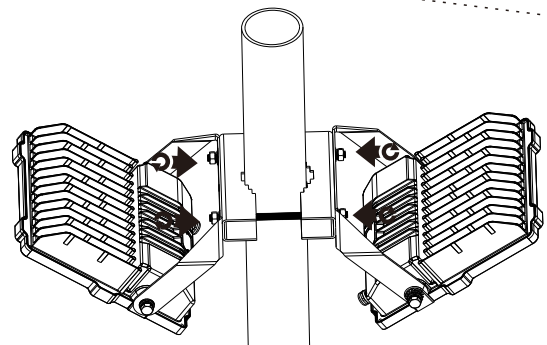
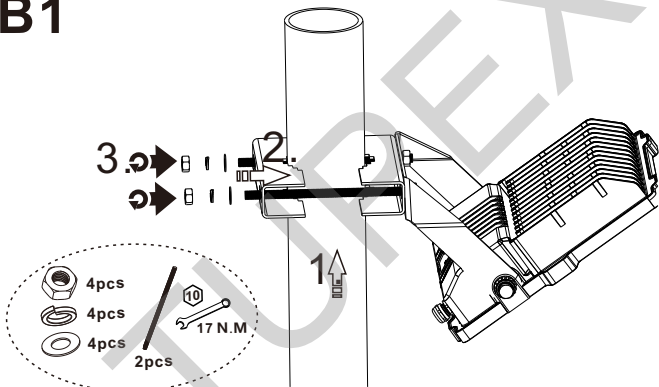
Installation instructions



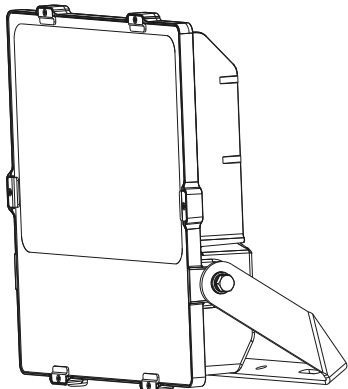
B2



B1



Matching luminaire



Power	Bracket	Compatible pole diameter	
		min/mm	max/mm
50/100/150/200W	small	40	100
200/300W	big	40	150