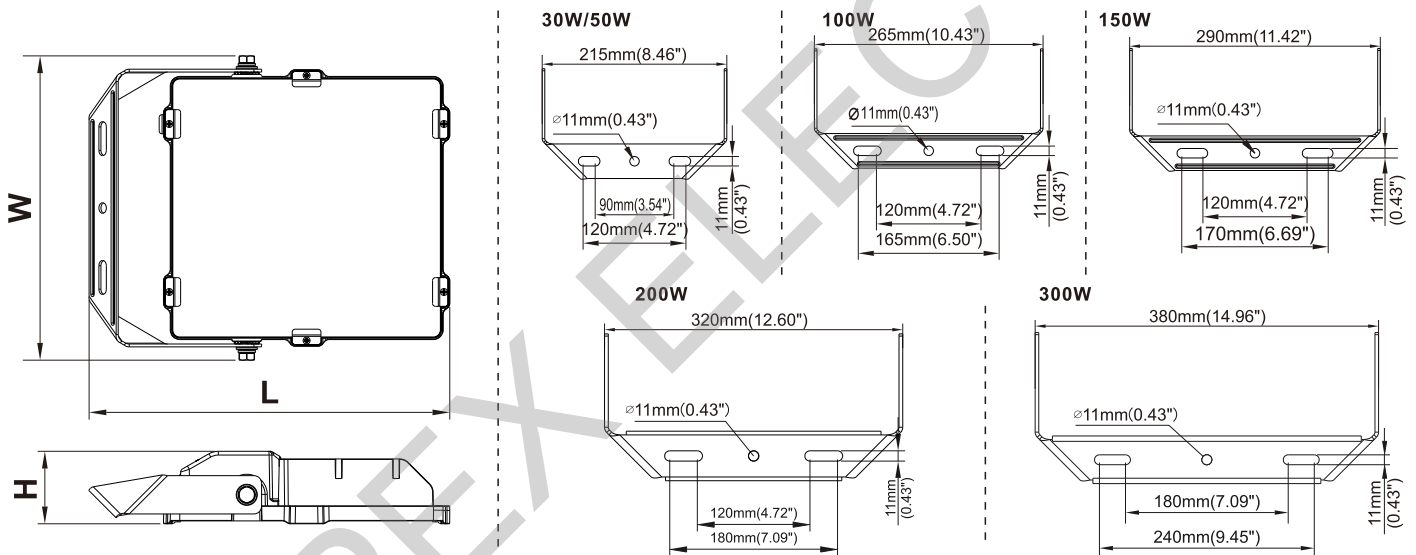
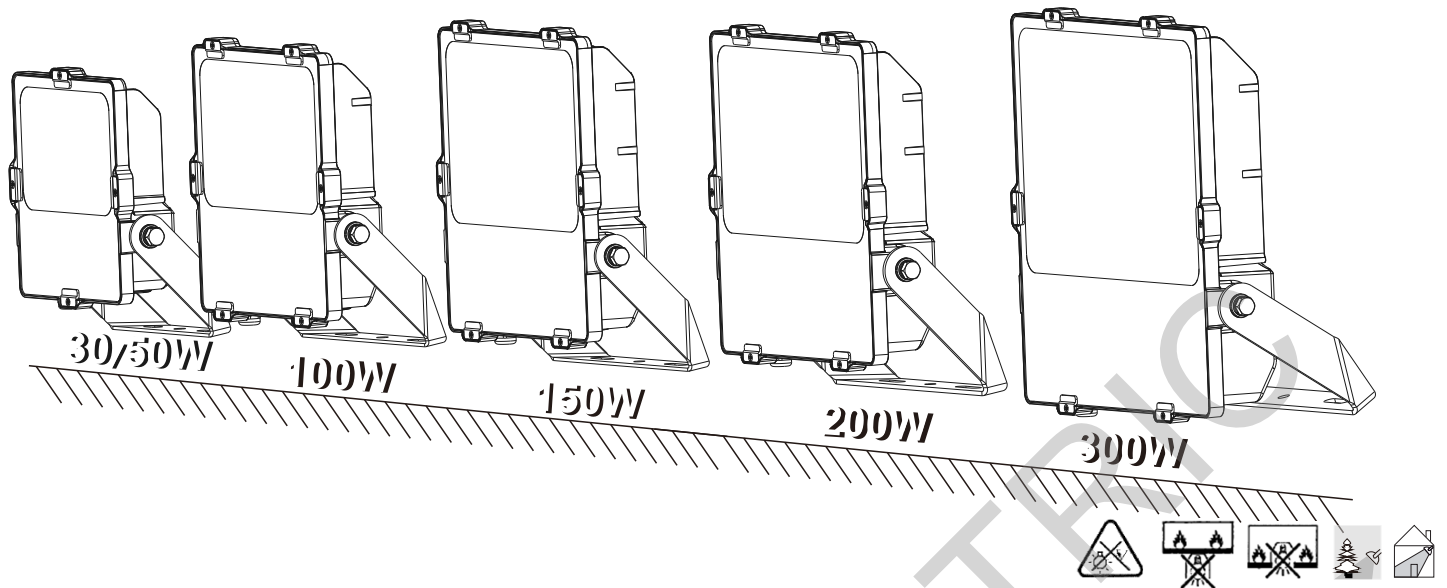


LED Flood Light

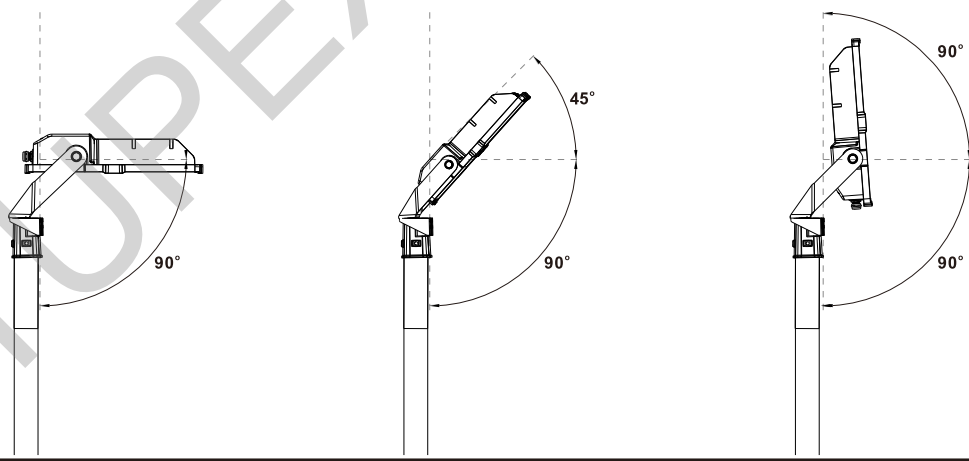
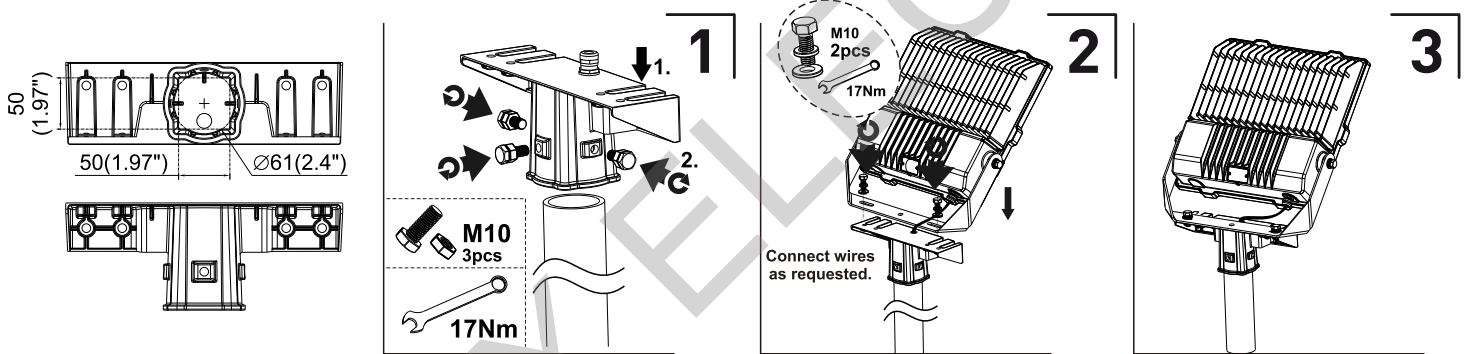
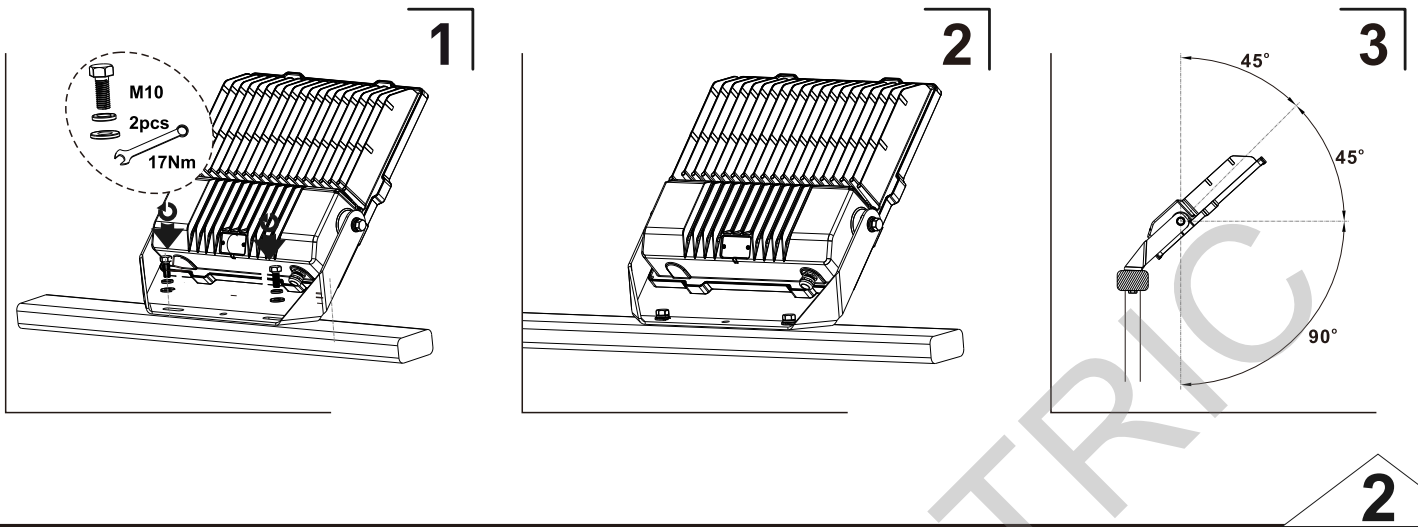
Instruction Manual



Product Specifications	30W	50W	100W	150W	200W	300W
Size (L x W x H)	300x240x69 (11.81"x9.45"x2.72")		335x295x71 (13.19"x11.61"x2.80")	375x320x75 (14.76"x12.6"x2.95")	400x345x78 (15.74"x13.58"x3.07")	464x410x83 (18.27"x16.14"x3.27")
Weight (Driver included)	1.9±0.3kg (4.2±0.66Lbs)	2.1±0.3kg (4.6±0.66Lbs)	3.4±0.3kg (7.5±0.66Lbs)	4.5±0.3kg (9.9±0.66Lbs)	5.5±0.3kg (11.1±0.66Lbs)	8.3±0.3kg (18.3±0.66Lbs)
Effective Projected Area (EPA)	0.62ft ²		0.91ft ²	1.12ft ²	1.30ft ²	1.87ft ²
Input Voltage	220-240 VAC					
Working Temperature	-30°C to +50°C (-22°F to +122°F)					
Storing Temperature	-40°C to +70°C (-40°F to +158°F)					

LED Flood Light

Instruction Manual



Dimmable

L	brown	black
N	blue	white
⊕ GND	yellow/green	green

DIM+/DA1	purple	or	purple	or	blue	or	brown
DIM-/DA2	gray	or	pink	or	white	or	blue

DIM+/DA1	purple	or	purple	or	purple
DIM-/DA2	gray	or	pink	or	gray
Aux 12Vdc+	pink	or	black/white	or	black/white

Warning! do not wire dim cord to high voltage, or dim function will fail.

• if the external flexible cable or cord of this luminaire is damaged, it shall be exclusively replaced by the manufacturer or his service agent or a similar qualified person in order to avoid a hazard.