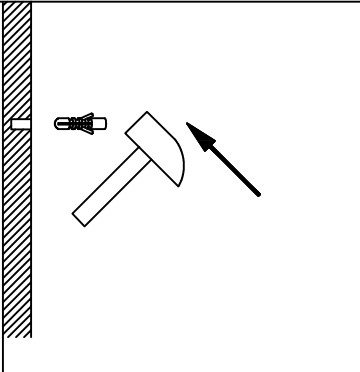
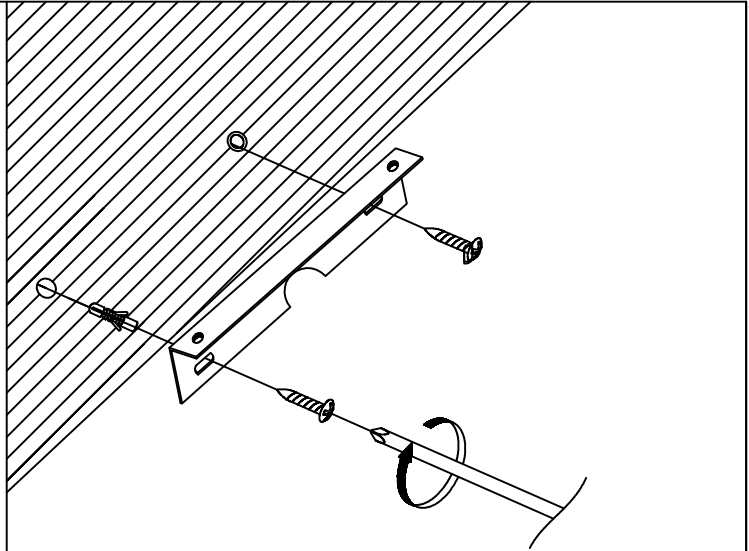


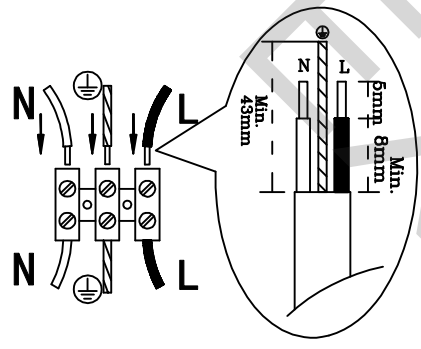
1. According to the hole position of the mounting plate, draw the distance of drilling on the wall, and turn the hole of 6mm on the wall with an electric drill.



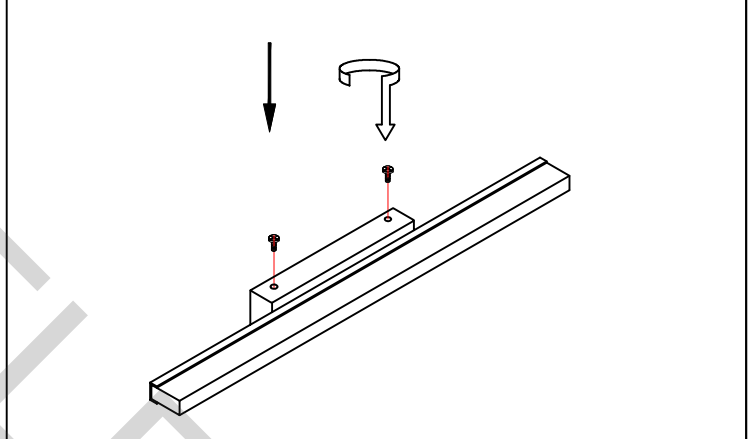
2. Put the plastic granules packed by the accessories into the opening hole.



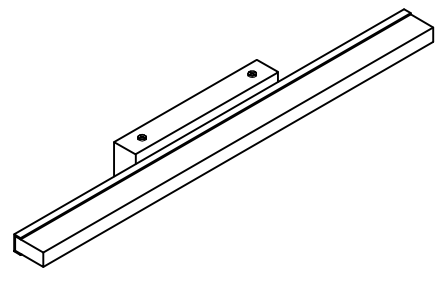
3. Then lock the hanging plate on the wall with self-tapping screws.



4. Connect the N extremely blue and L extremely brown wires above the lamps and lanterns to the power cord reserved above the wall, and connect the yellow-green grounding wire to the earth wire reserved above the wall (no can not be connected).



5. Align the mounting hole on the bottom box of the lamp with the mounting plate hole and the locking screw is energized to turn on the lamp.



Note:

1. This product is suitable for 85-265V voltage, please cut off the power supply before installation.
2. Take the lamps and accessories out of the packing box and assemble them according to the installation schematic diagram. Please ensure the firmness and reliability of installation, so as not to prevent the lamps from falling off and hurting yourself or others.
3. Do not use gasoline or water to wipe the lamps and lanterns, do not arbitrarily pull and twist the wire in order to avoid the danger of bad contact fire and electric shock, clean the lamps and lanterns with a clean soft cloth, there will be temperature attention to prevent burns when the lamps and lanterns work.