






TUPEX LATTI BOLLARD LED

Instruction Manual

Packing List		
	Base plate templates	1PCS
	Screw fixing plate	1PCS
	Screw M5*16	4PCS
	Screw M6	3PCS
	Nut M6	3PCS

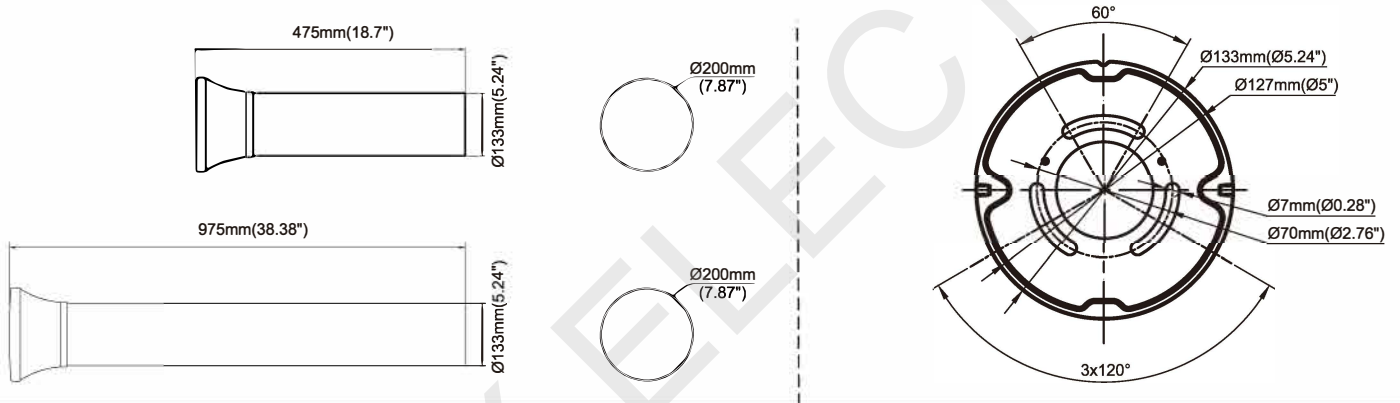


1M

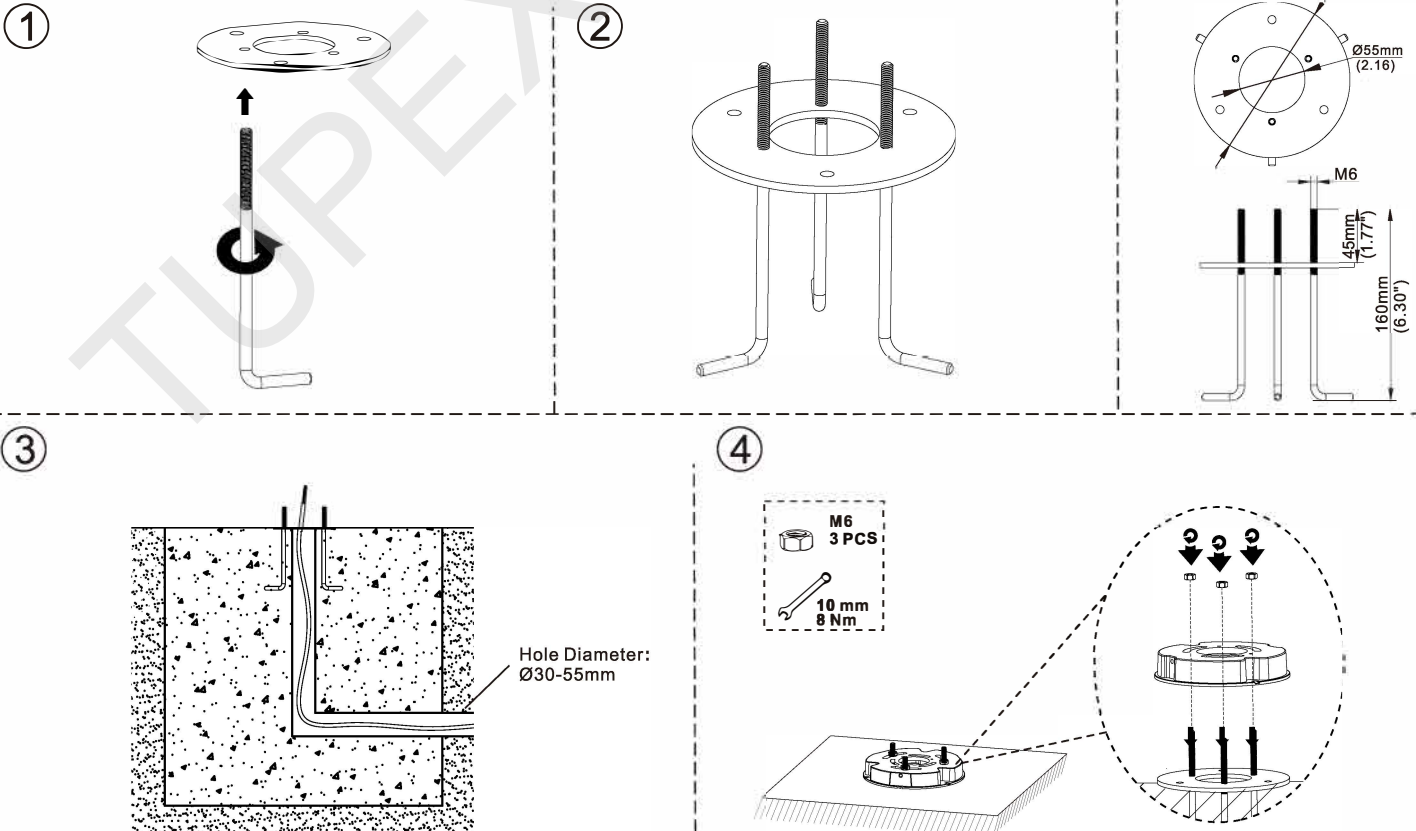


0.5M

Physical Dimensions(unit:mm/inch)



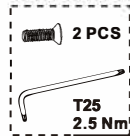
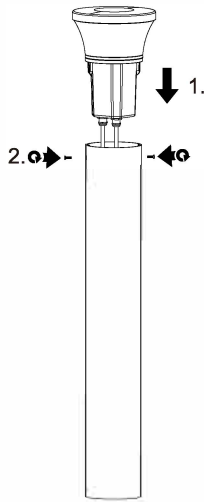
Installation



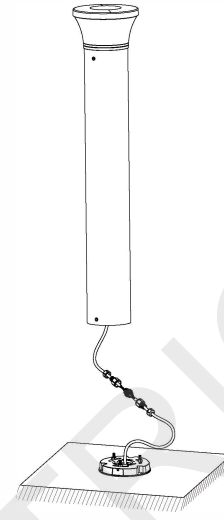
TUPEX LATTI BOLLARD LED

Instruction Manual

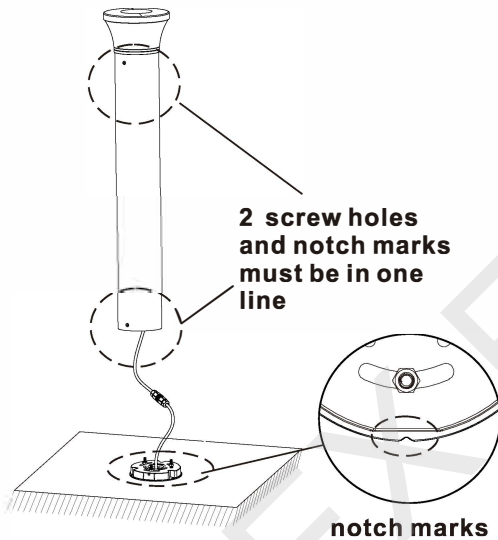
5



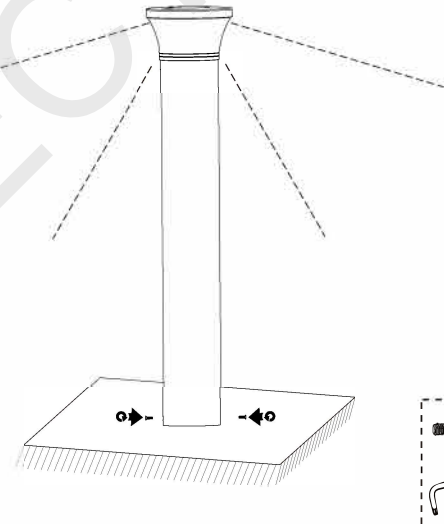
6



7



8



Product Specifications	14W		25W	
Input Voltage	100-240 VAC / 220-240 VAC/ 120-277 VAC			
Power Frequency	50 / 60 Hz			
Outlook Dimensions	Ø133x475mm (Ø5.24"x18.70")	Ø133x975mm (Ø5.24"x38.39")	Ø133x475mm (Ø5.24"x18.70")	Ø133x975mm (Ø5.24"x38.39")
Net Weight	3.8±0.3kg(8.38±0.66Lbs)		5.3±0.3kg(11.68±0.66Lbs)	
Working Temperature	-30°C to + 50°C(-22°F to + 122°F)			
Storing Temperature	-40°C to + 70°C(-40°F to + 158°F)			

L	brown	black
N	blue	white
⊕ GND	yellow/green	green

Dimmable

DIM+ / DA1	blue	brown	purple	white
DIM- / DA2	white	blue	gray	black



Warning! do not wire dim cord to high voltage, or dim function will fail.

- For type Y attachments:
if the external flexible cable or cord of this luminaire is damaged, it shall be exclusively replaced by the manufacturer or his service agent or a similar qualified person in order to avoid a hazard.
- The light source contained in this luminaire shall only be replaced by the manufacturer or his service agent or a similar qualified person.