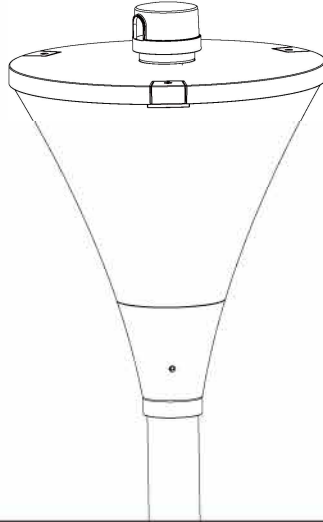
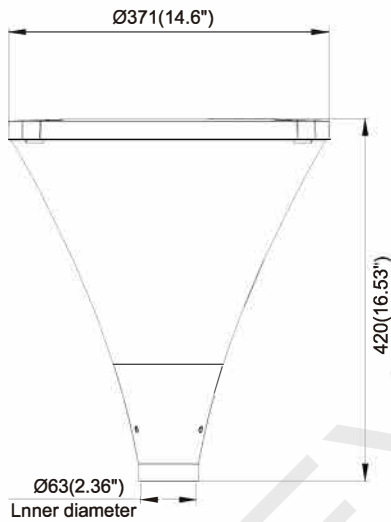


TUPEX LATTI POLE LED

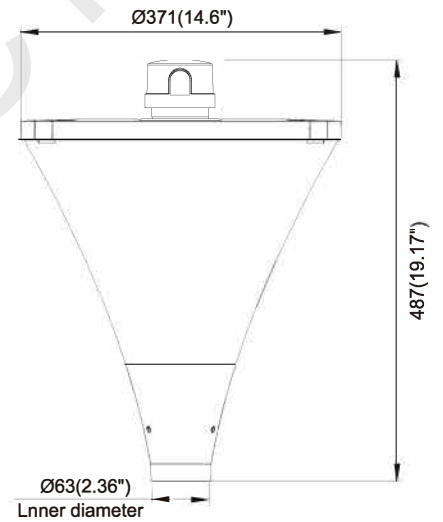
Instruction Manual



Physical Dimensions (Unit: mm/inch)



Standard version



Photocell version

Installation

1.



Non Dimmable

L	—	black
N	—	white
⊕	—	green
L	—	black
N	—	white
⊕	—	green

Dimmable

L	—	black
N	—	white
⊕	—	green
DA1/DIM+	—	red
DA2/DIM-	—	brown
L	—	black
N	—	white
⊕	—	green
DA1/DIM+	—	red
DA2/DIM-	—	brown

Pole size: Ø60mm (2.36")



Non Dimmable

L	—	black
N	—	white
L	—	black
N	—	white

Dimmable

L	—	black
N	—	white
DA1/DIM+	—	red
DA2/DIM-	—	brown
L	—	black
N	—	white
DA1/DIM+	—	red
DA2/DIM-	—	brown

Pole size: Ø60mm (2.36")

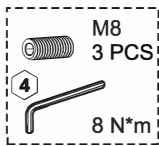
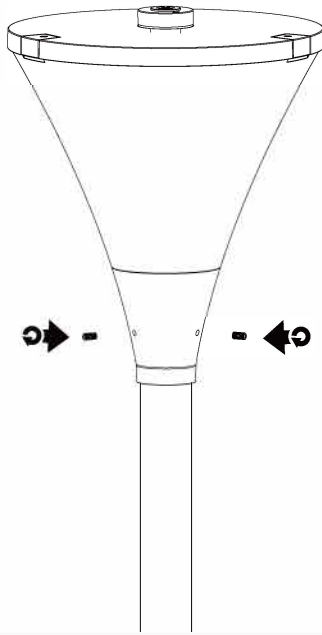
* Please make sure the luminaire is properly grounded.

* Please make sure the luminaire is properly grounded.

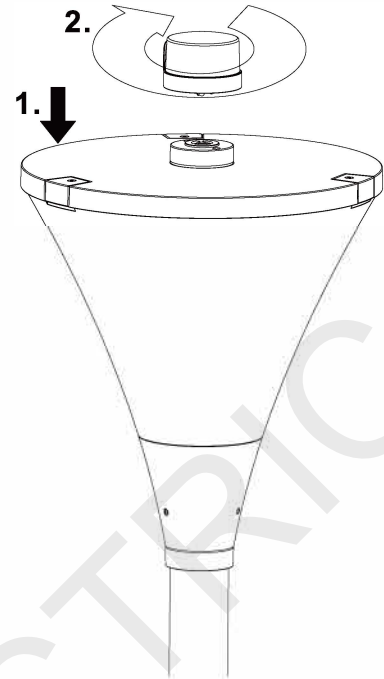
TUPEX LATTI POLE LED

Instruction Manual

2. 



3. 



Product Specifications	20W	40W	60W	20W	40W
Luminescent mode	Direct Lighting			Indirect Lighting	
Input Voltage	100-240 VAC				
Power Frequency	50 / 60Hz				
Outlook Dimensions	Ø371x420mm(Ø14.6"x16.53")				
Luminaire Net Weight	4.6±0.3kg(10.14±0.66Lbs)				
Projected Area	0.091m²(0.98ft²)				
Working Temperature	-30°C to +50°C(-22°F to +122°F)				
Storing Temperature	-40°C to +70°C(-40°F to +158°F)				

● The light source contained in this luminaire shall only be replaced by the manufacturer TUPEX or his service agent or a similar qualified person.

● For type Y attachments:

if the external flexible cable or cord of this luminaire is damaged, it shall be exclusively replaced by the manufacturer TUPEX or his service agent or a similar qualified person in order to avoid a hazard.