

USE AND CARE GUIDE**EXTERIOR WALL FIXTURE****MEZZO LED M1008A**

We appreciate the trust and confidence you have placed in our company through the purchase of this exterior wall fixture. We strive to continually create quality products designed to enhance your home. Visit us online to see our full line of products available for your home improvement needs. Thank you for choosing our company's product.

Safety Information

- 1, Before starting installation of this fixture or removal of a previous fixture, disconnect the power by turning off the circuit breaker or by removing the fuse at the fuse box.
- 2, Consult a qualified electrician if you have any

electrical questions or need to replace the bulb/driver.

3, If you have any non-electrical questions about this fixture, please contact our customer service team through our website.

Warranty

The manufacturer warrants this lighting fixture to be free from defects in materials and workmanship for a period of five (5) years from date of purchase. This warranty applies only to the original consumer purchaser and only to products used in normal use and service. If this product is found to be defective, the manufacturer's only obligation and your exclusive remedy, is the repair or replacement of the product at the manufacturer's discretion, provided that the product has not been damaged through misuse, abuse, accident, modifications, alteration, neglect or mishandling.

Pre-Installation**PLANNING THE INSTALLATION**

Read all instructions before assembly and installation. Before starting installation of the fixture or removal of a previous fixture, disconnect the power by turning off the circuit breaker or by removing the fuse at the fuse box. To avoid damaging this product, assemble it on a soft, non-abrasive surface such as carpet or cardboard.

TOOLS REQUIRED

Philips Screwdriver, Flathead Screwdriver, Wire Cutter, Wire Stripper, Silicon Rubber Sealant for exterior use, Ladder, Electrical Tape, Safety Goggles.

Installation**1 Mounting the hardware**

- Thread the fixture mounting screws into the provided holes of the mounting

bracket.

- Pull the supply wires out from the outlet box and mount the mounting bracket to the outlet box using the bracket mounting screws.
- Place the fixture body over the outlet box and onto the fixture mounting screws.

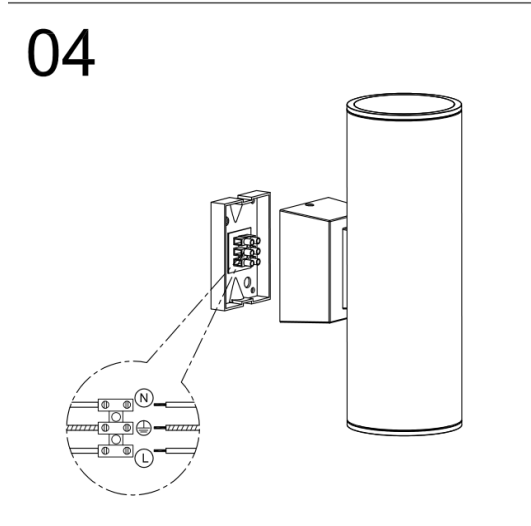
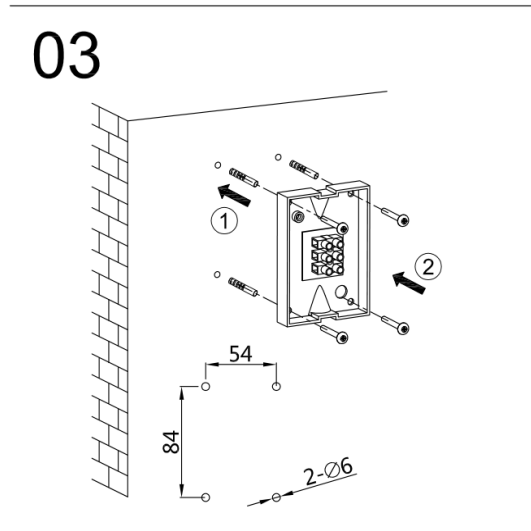
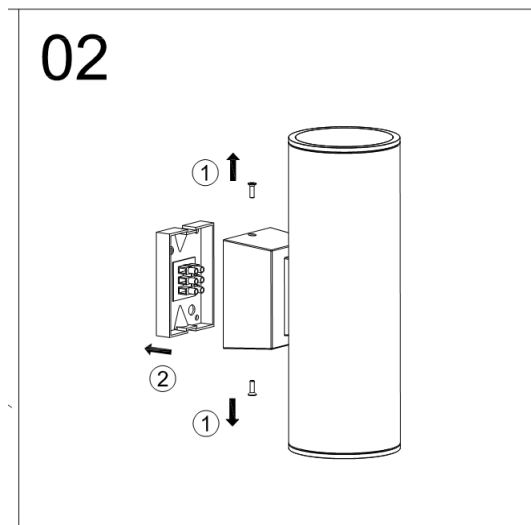
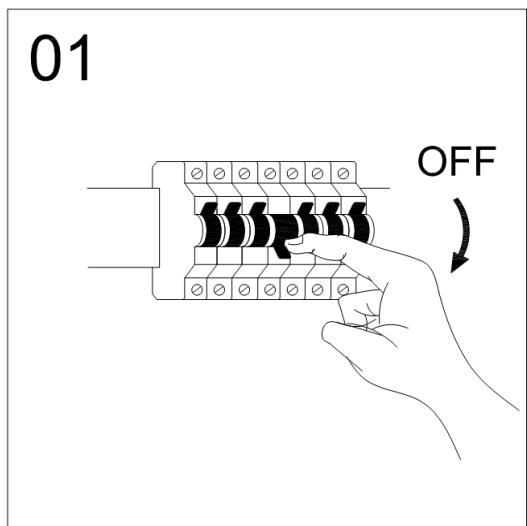
2 Connecting the wires

- Connect the black supply wire to the black fixture wire using a wire nut.
- Connect the white supply wire to the white fixture wire using a wire nut.
- Connect the fixture ground wire to the supply ground wire using a wire nut.
- Wrap all wire connections with electrical tape for a more secure connection.

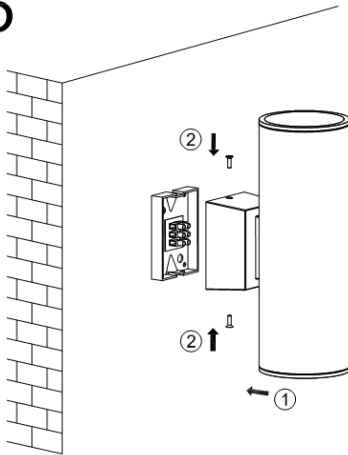
3 Mounting the fixture

- Place the fixture body onto the fixture mounting parts and secure it into the correct position.
- Tight the screw for both side (up and down).

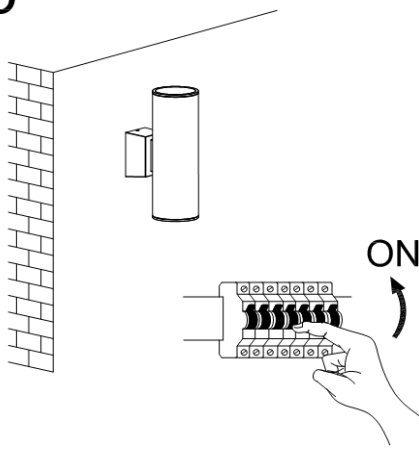
Installation Draft



05



06



Care and Cleaning

EXTERIOR MAINTENANCE

1, Use a dry or slightly dampened clean cloth and wipe the surface of the fixture.

INTERIOR MAINTENANCE

1, Disconnect power to the fixture by turning off the circuit breaker or by removing the fuse at the fuse box.

2, Use a dry or slightly dampened clean cloth to wipe the interior surface of the fixture