

Entry /ECO

Standard /STD

Professional/PRO

ODM & OEM

Intelligent/INT



**PRO**  
Specifications

# TUPEX MEZZO MINI LED



LED Wall Light

WL85 Series

**TUPEX**electric



## Introduction

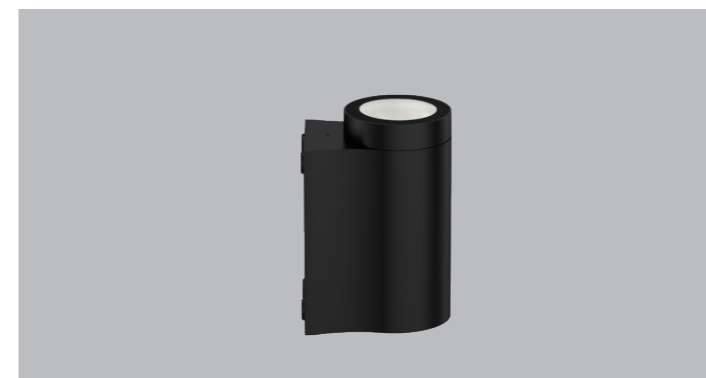
TUPEX MEZZO MINI LED wall lamp is an up & down lighting design. It adopts SMD light source, ADC12 aluminum profile offers great thermal management. Its high protection level (IP65) also expands the application range which is suitable for a variety of indoor and outdoor lighting applications.

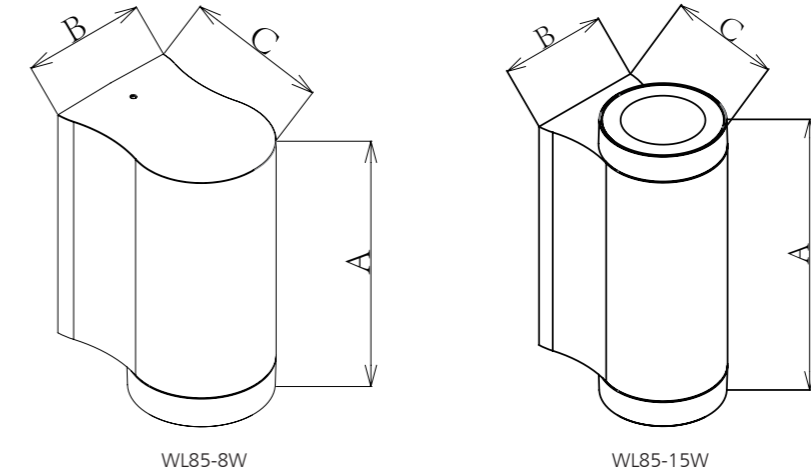
## Features

- Up/down, Up & down lighting for decorative lighting atmosphere.
- ADC 12 aluminum lamp body provides a great heat dissipation.
- IP65 waterproof for both indoor and outdoor use.
- Interchangeable CCT(3000+4000+5700K) with slide switch.
- Loop in/out entry for quick install.
- Non-dim and triac dimming option.

## Application Areas

It is designed for indoor and outdoor lighting applications hotel, park, and corridors etc.





## Technical Data Sheet

Code No.	WL85-8W	WL85-15W		
Dimension(mm)	143*70*95	179*70*95		
Cutout (mm)	-			
Watt(W)	8W	2×7.5W		
Rated Input Voltage(V)	230V			
Input Voltage(V)	200-240V			
LED Module Input	-			
Light Source	2835			
SDCM	<6			
CCT(K)	1-CCT:3000K/4000K/5000K/5700K 3-CCT:3000K+4000K+5700K			
CCT Selection DIP Switch	YES			
Luminous Flux (lm) ±5%	Non-DIM	1-CCT	750-850lm	1550-1700lm
	DIM		750-850lm	1550-1700lm
	Non-DIM	3-CCT	650-850lm	1350-1700lm
	DIM		650-850lm	1350-1700lm
CRI	≥80			
Beam Angle (°)	45°			
UGR	-			
LED Driver	Built-in			
Dimming Option	Triac			
Sensor	NO			
Emergency Kits	NO			
Protection Class	Class I			
IP Rating	IP65			
IK Rating	IK06			
Product Finishing	Black RAL9005			
Optics Material	PC			
Material	Aluminium			
Lifetime (hr)	50,000h			
Glow wire test (°C)	-			
Operating Temp. (°C)	-20°C ~45°C			
Storage Temp. (°C)	-20°C ~65°C			
Installation	Wall mount			

## Measurement

Code	Dimension(mm)			Size(mm)	Product Weight (Kg)		Package weight (Kg)		Carton Size(cm)	Qty/CTN	20GP (pcs)	40HQ (pcs)
	A	B	C		N.W/PC	G.W/PC	N.W/CTN	G.W/CTN				
WL85-8W	143	70	95	143*70*95	0.77	0.8	18.5	20.1	55*44*29	24PCS	10296	23880
WL85-15W	179	70	95	179*70*95	0.91	0.98	10.9	12.33	44*33.5*29	12PCS	8508	19680

## Driver Datasheet(Non-dimmable)

		Total load wattage	8W	15W
Output	Output Voltage range	DC60-75V		
	Rated output current	105mA		190mA
	Line Regulation	±5%		
	Setup, Rise Time	≤0.5S		
	Flickering Index	≤3%(NO RISK)		
Input	Input Voltage	AC220-240V		
	Rated Input Voltage(V)	AC230V		
	Frequency	50/60Hz		
	Input Current	≤0.05A		≤0.08A
	Rated Input Current	≤0.04A		≤0.075A
	Power Factor	0.9		
	THD	-		
	Efficiency	≥87%		≥87%
	No load wattage	≤0.5W		
Protection	Short circuit protection	Pass		
	Over voltage protection	Pass		
	Over temperature protection	Pass		
Safety & EMC	Withstand voltage	I/P-FG:1.6kVac, <5mA 60S		
	Isolation Resistance	I/P-O/P: 500VDC, ≥100M Ω		
	Surge	IEC/EN61000-4-5( P<25W; L-N:500V, L/N-PG:1KV);		
	EMC Emission	EN55015, EN61000-3-2		
	EMC Immunity	EN61000-4-2,3,4,5,6,8,11; EN61547		

# Driver Datasheet(Triac Dimmable)

Total load wattage		8W	15W
Output	Output Voltage range	DC65-75V	
	Rated output current	95mA	190mA
	Line Regulation	±5%	
	Setup, Rise Time	<0.5S	
	Flickering Index	≤5%(NO RISK)	
Input	Input Voltage	AC220-240V	
	Rated Input Voltage(V)	AC230V	
	Frequency	50Hz	
	Input Current	≤0.05A	≤0.09A
	Rated Input Current	≤0.04A	≤0.08A
	Power Factor	0.9	
	THD	-	
	Efficiency	≥85%	≥84%
	No load wattage	≤0.5W	
	Protection	Short circuit protection	Pass
Over voltage protection		Pass	
Over temperature protection		Pass	
Safety & EMC	Withstand voltage	-	
	Isolation Resistance	-	
	Surge	IEC/EN61000-4-5( P<25W; L-N:500V, L/N-PG:1KV);	
	EMC Emission	EN61000-4-2,3,4,5,6,8,11; EN61547	
	EMC Immunity	EN61000-4-2,3,4,5,6,8,11; EN61547	

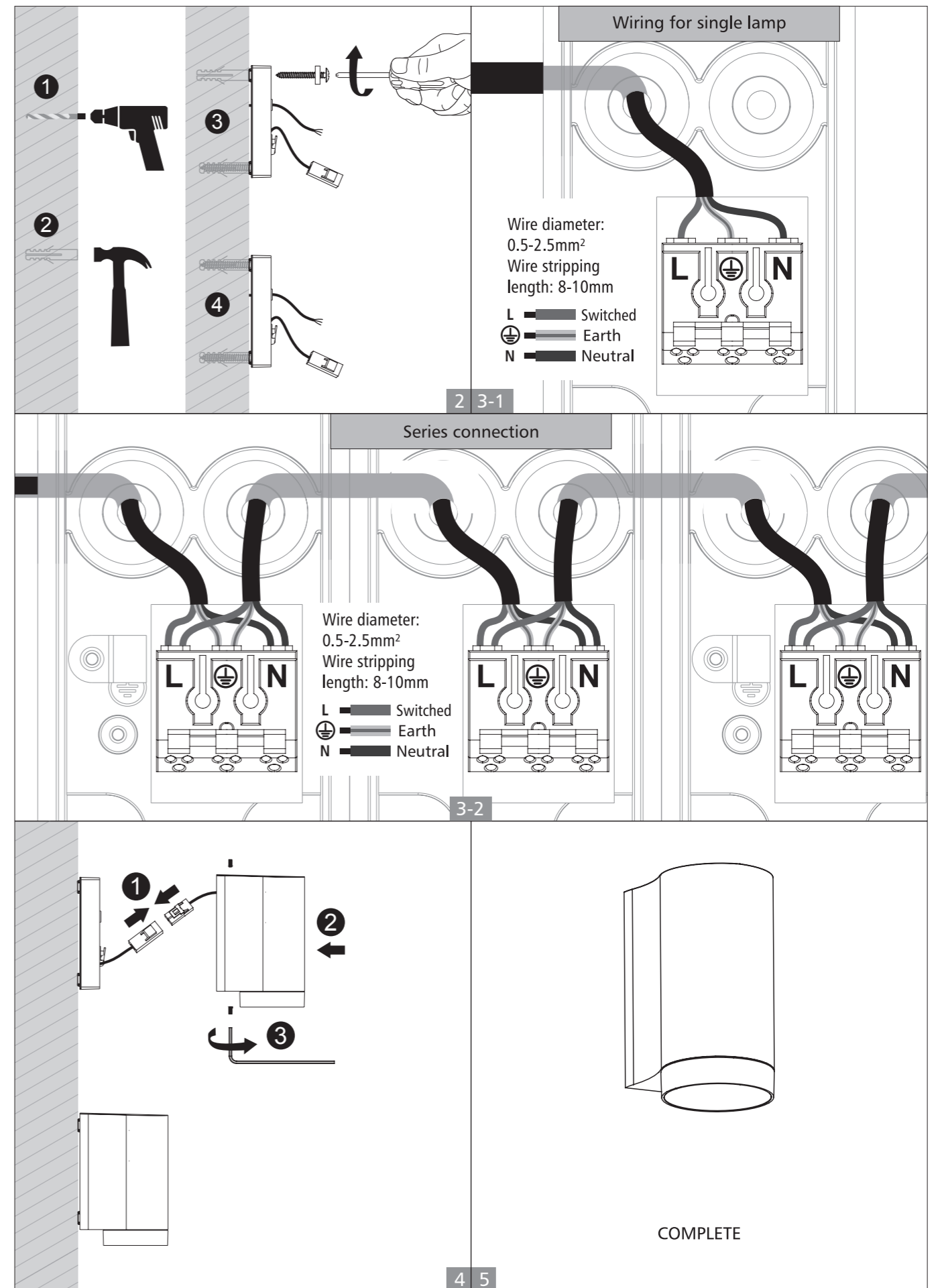
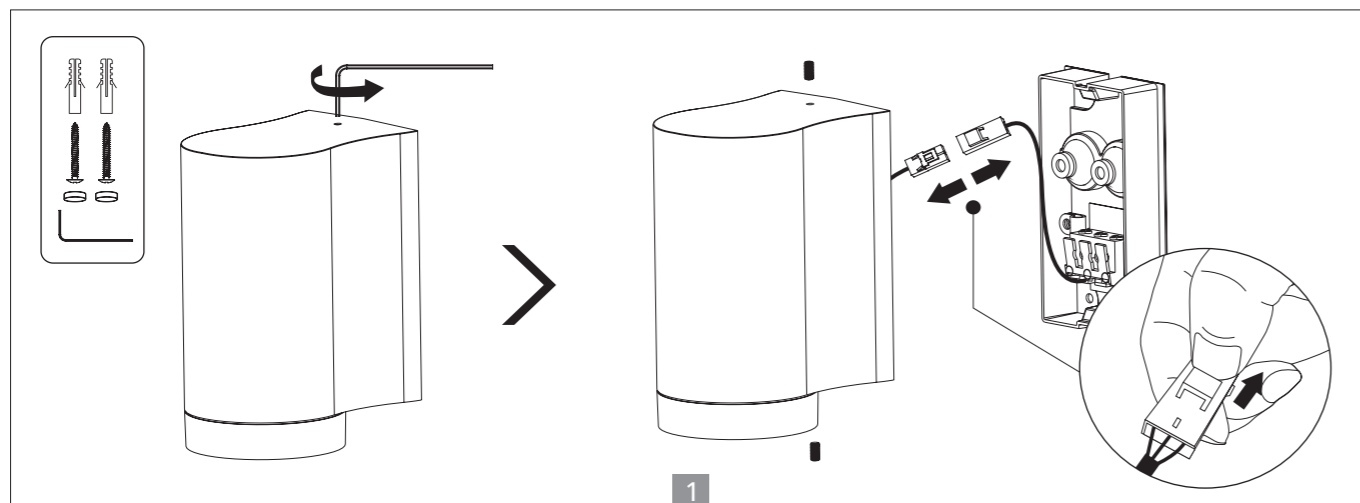
## Installation Instruction

### WARNING

1. Switch off before installation.
2. Switch on only after complete installation and examination of the circuit.
3. Professional electrician for installation and maintenance only.



## Wall mounted installation



**ECO**  
Specifications

**STD**  
Specifications

**PRO**  
Specifications

**ODM**  
Specifications

  
**INT**  
Intelligent

**TUPeX**electric