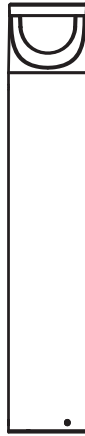


# LED Bollards Light

## Instruction Manual

### Installation Instructions

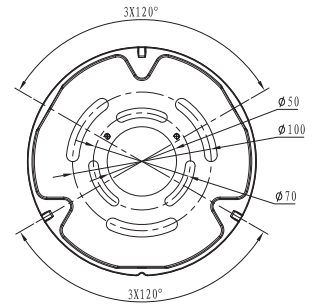
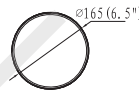
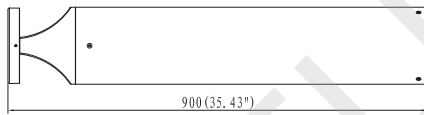
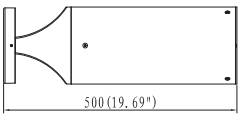


0.9M



0.5M

### Physical Dimensions(mm/inch)

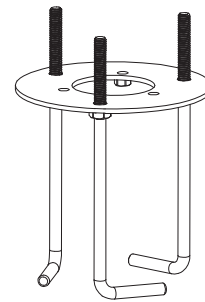


### The installation

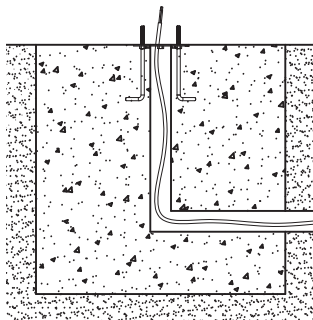
①



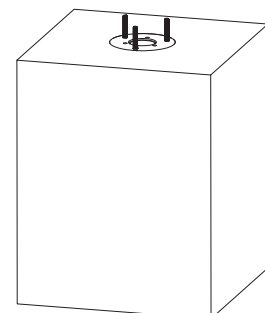
②



③

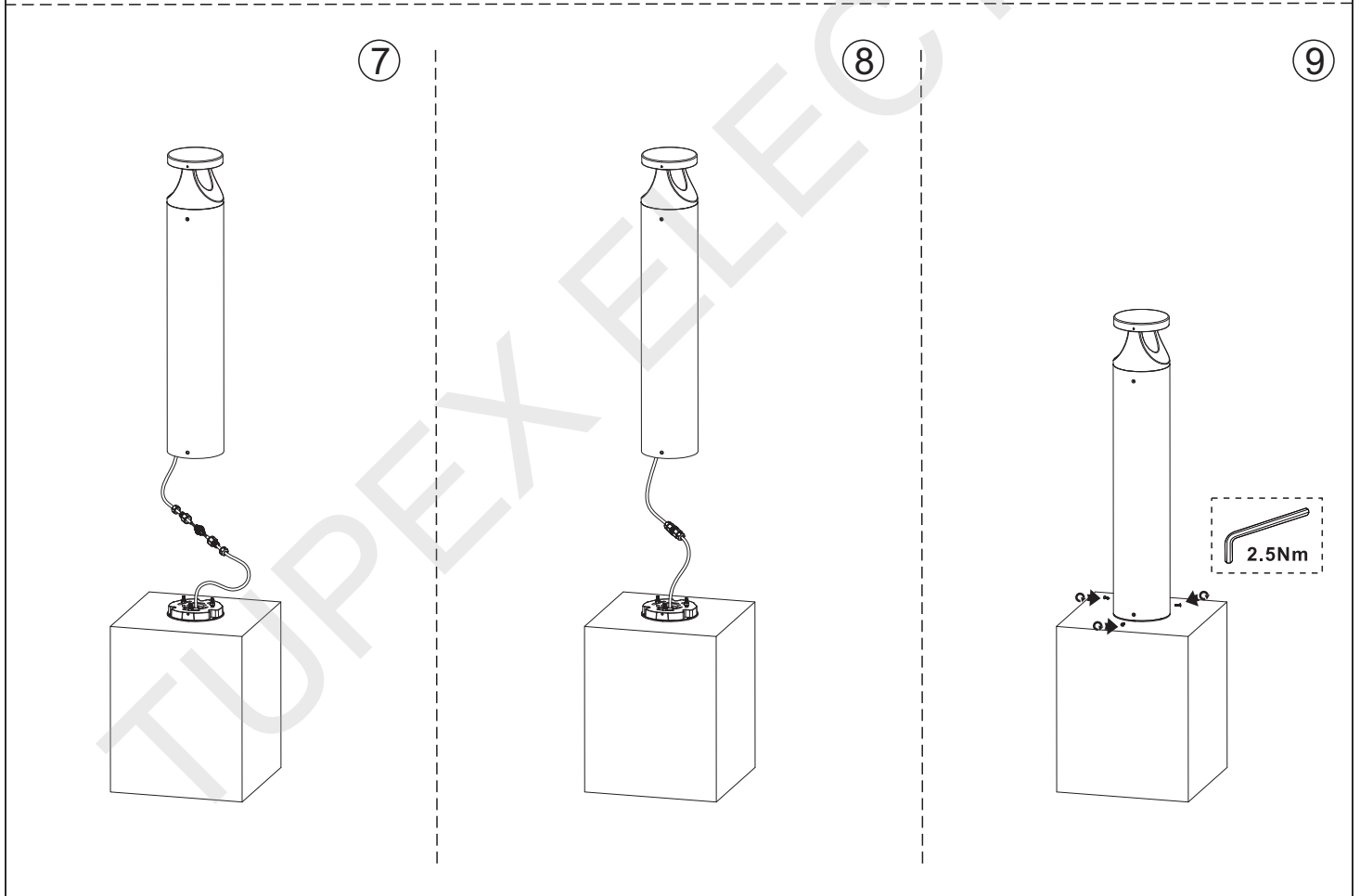
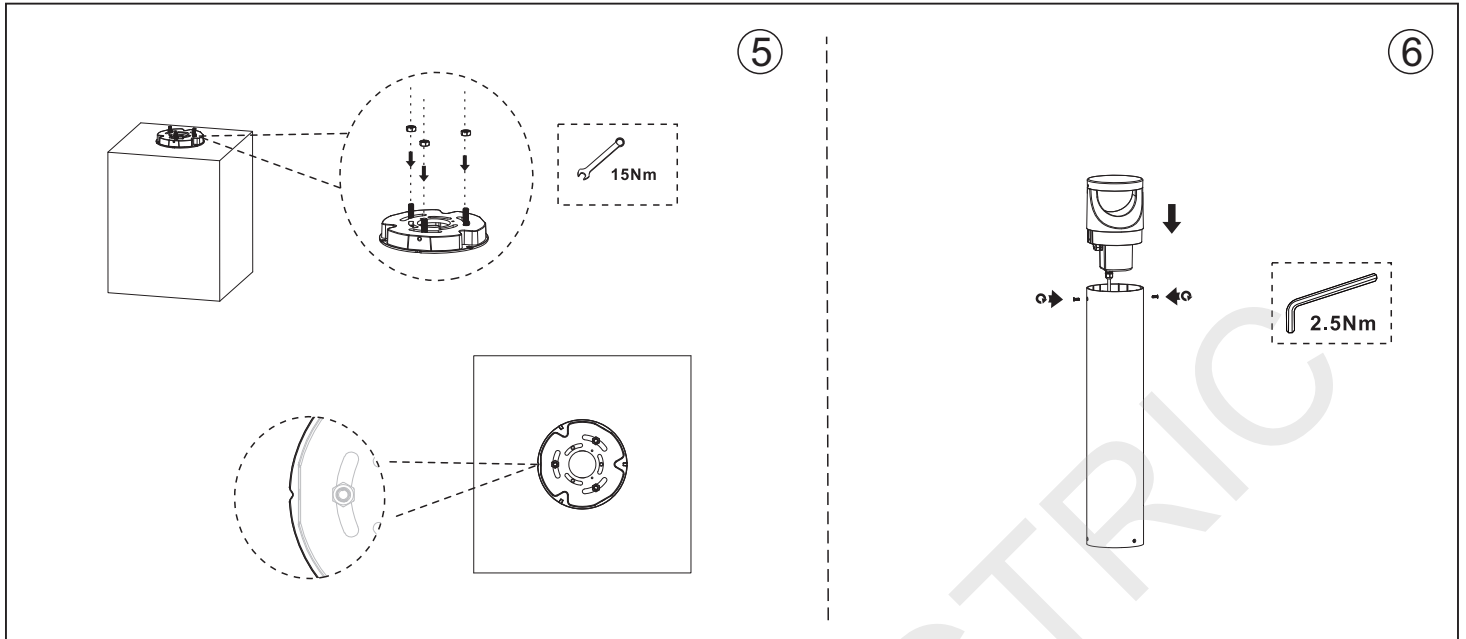


④



# LED Bollards Light

## Instruction Manual



L	brown	black	Dimmable				
N	blue	white	DIM+ / DA1	blue	brown	purple	white
⊕ GND	yellow/green	green	DIM- / DA2	white	blue	gray	black

•if the external flexible cable or cord of this luminaire is damaged, it shall be exclusively replaced by the manufacturer or his service agent or a similar qualified person in order to avoid a hazard.