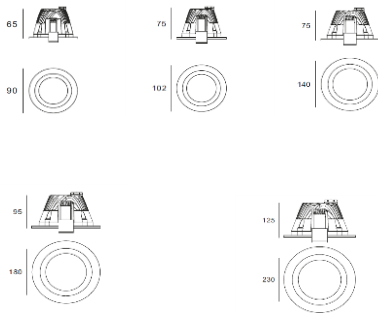
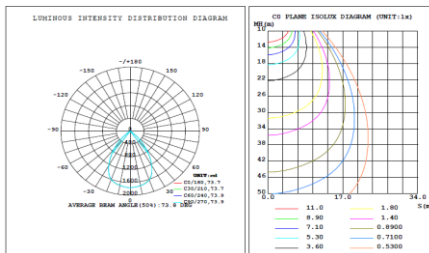




尺寸



IES测试报告



Product Name	Led Down Light
Item No.	010175A/010175B/010175C/010175D/010175E
Standard	GB7000.1-2018
Color	WH+SIL
Sort	LED Recessed Light

Product

Product Name	Led Down Light
Item No.	010175A/010175B/010175C/010175D/010175E
Standard	GB7000.1-2018
Color	WH+SIL
Sort	LED Recessed Light

Chip	Epistar
Lumen	2359Lm
Power	8W/10W/12W/15W/20W/25W/30W/35W/42W
CRI	CRI > 80
Beam angle	60°
Glare Index	UGR < 19
Lighting Efficiency	90%
Luminous Efficiency	122Lm/W
Current	200mA/250mA/300mA/350mA/500mA/600mA/750mA/800mA/1050mA
CCT	3000K/4000K/6000K
Driver	Tridonic
Size	90*65mm/102*75mm/140*75mm/180*95mm/230*125mm
Hole Size	Φ75mm/Φ90mm/Φ125mm/Φ150mm/Φ200mm
Frequency	50/60Hz
LED Hours	> 50.000H L80B10 10K

Photoelectric Spec.

Photoelectric Spec.	Epistar
Lumen	2359Lm
Power	8W/10W/12W/15W/20W/25W/30W/35W/42W
CRI	CRI > 80
Beam angle	60°
Glare Index	UGR < 19
Lighting Efficiency	90%
Luminous Efficiency	122Lm/W
Current	200mA/250mA/300mA/350mA/500mA/600mA/750mA/800mA/1050mA
CCT	3000K/4000K/6000K
Driver	Tridonic
Size	90*65mm/102*75mm/140*75mm/180*95mm/230*125mm
Hole Size	Φ75mm/Φ90mm/Φ125mm/Φ150mm/Φ200mm
Frequency	50/60Hz
LED Hours	> 50.000H L80B10 10K

IP Rate	IP20
Installation	Recessed
Outer Box	32*32*25CM/45*45*25CM/65*65*25CM
Qty/ctn	50PCS/30PCS/20PCS
N.W	14.5KGS/17.6KGS/18.9KGS
G.W	16.5KGS/18.8KGS/20.5KGS
Frequency	50/60Hz

Other Spec.

Other Spec.	IP20
Installation	Recessed
Outer Box	32*32*25CM/45*45*25CM/65*65*25CM
Qty/ctn	50PCS/30PCS/20PCS
N.W	14.5KGS/17.6KGS/18.9KGS
G.W	16.5KGS/18.8KGS/20.5KGS
Frequency	50/60Hz

Adjustable LED down spot lights, using the first-line brand high index finger chip, Ra≥90, no red UV radiation, very little heat dissipation.  
Keeping round and square, trim and trimless in different projects