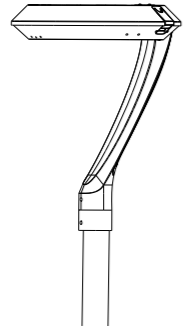


LED Post Top Light

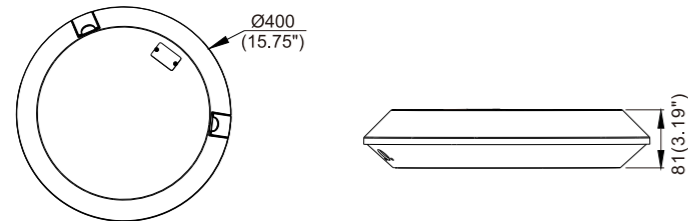
Installation Instructions

TUPEXelectric

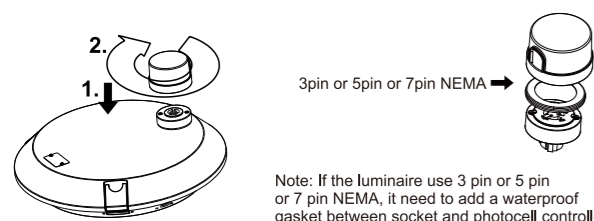
TUPEX
ARCH Serie



Physical Dimensions(mm/inch)

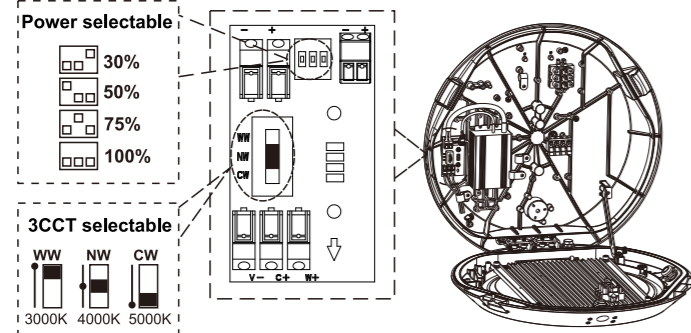


Twist Lock Photocell(Optional)

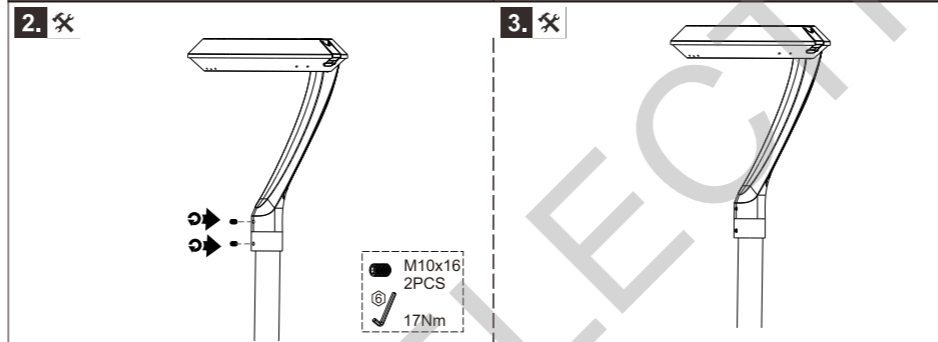
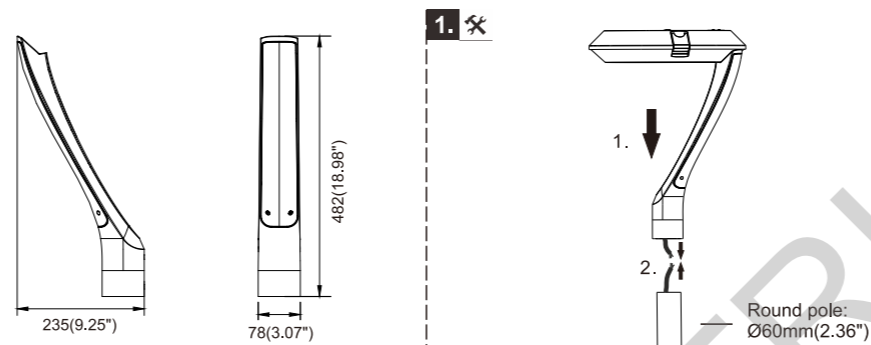


Note: If the luminaire use 3 pin or 5 pin or 7 pin NEMA, it need to add a waterproof gasket between socket and photocell controller.

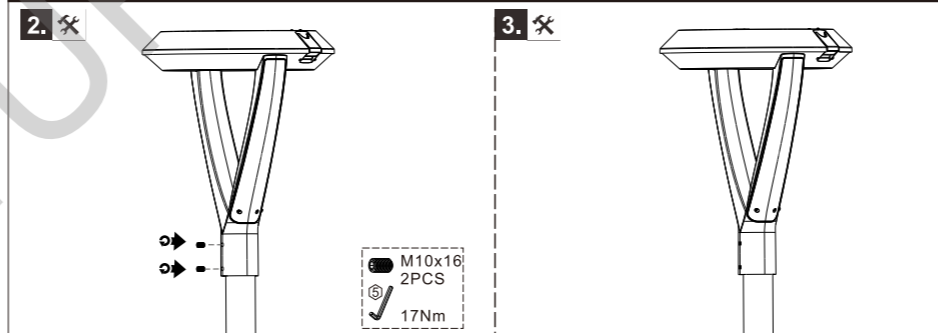
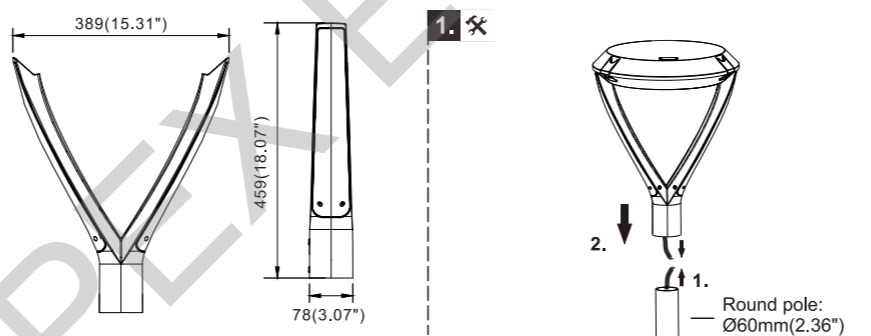
3 CCT+4 Power selectable(Optional)



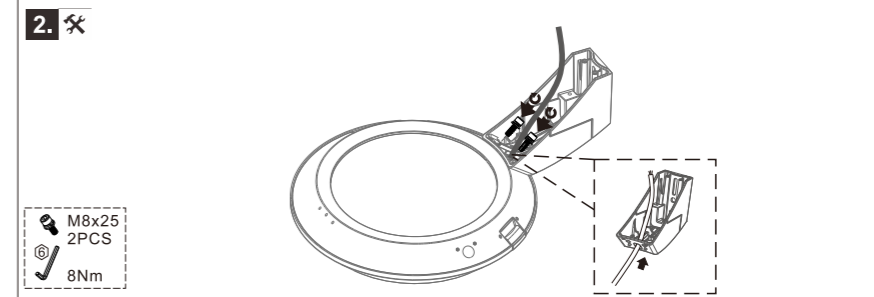
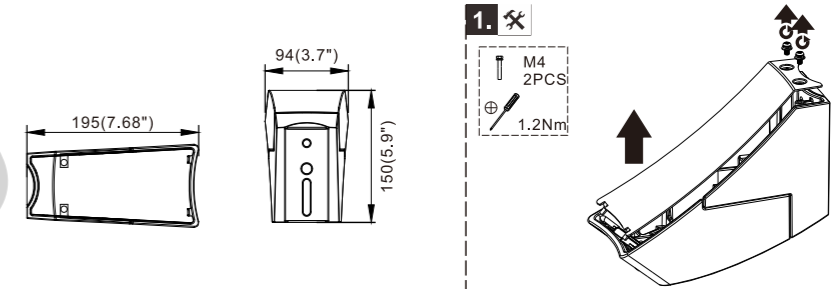
Singel Strut Mount (Unit:mm/inch)



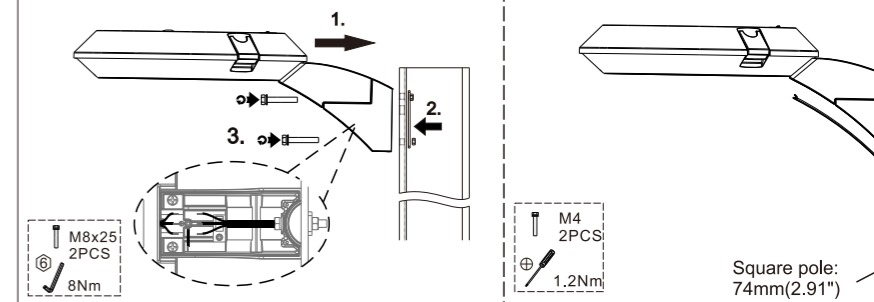
Twin Strut mount (Unit:mm/inch)



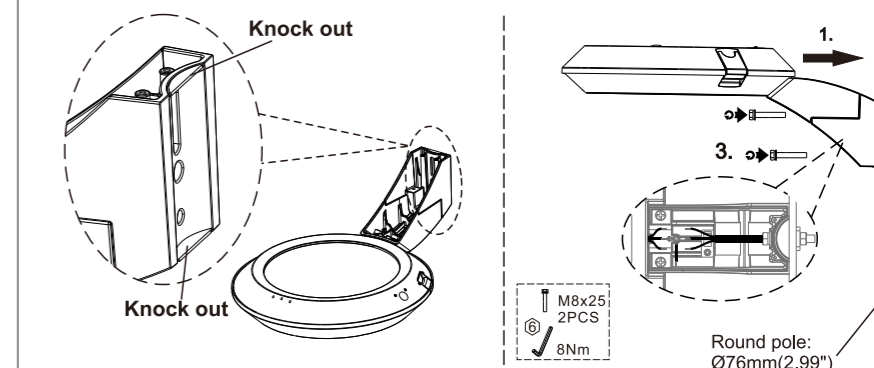
Straight-Arm Mount (Unit:mm/inch)



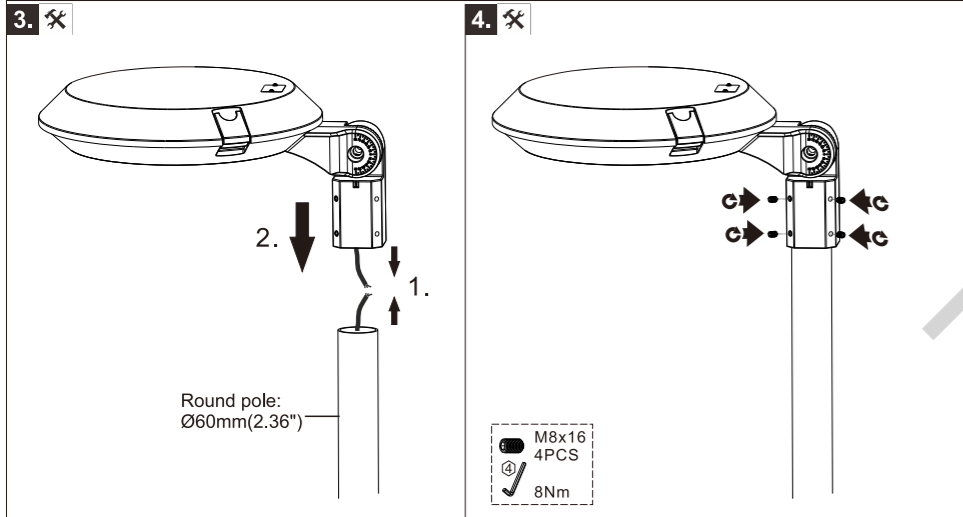
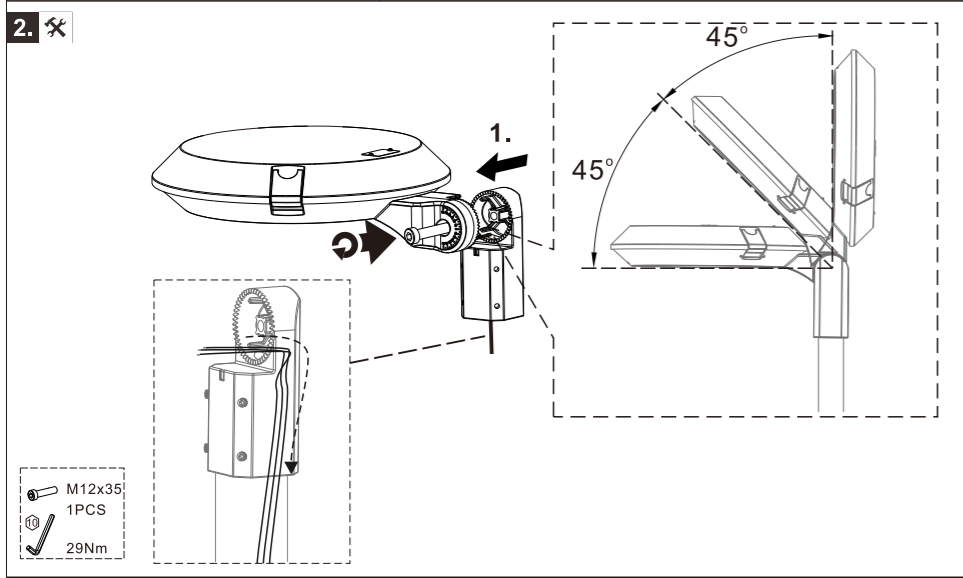
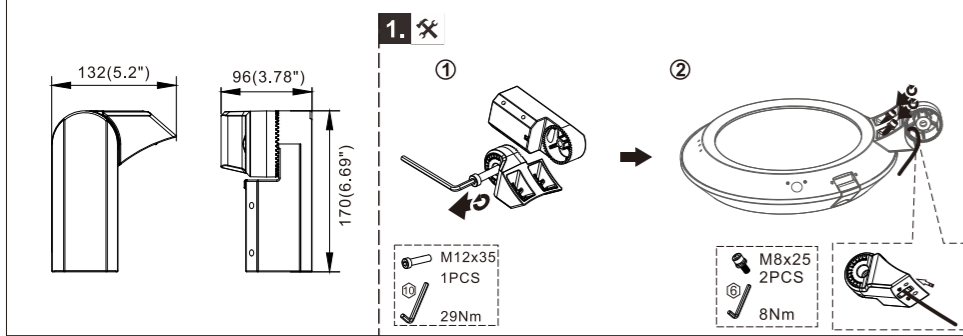
Square pole installation



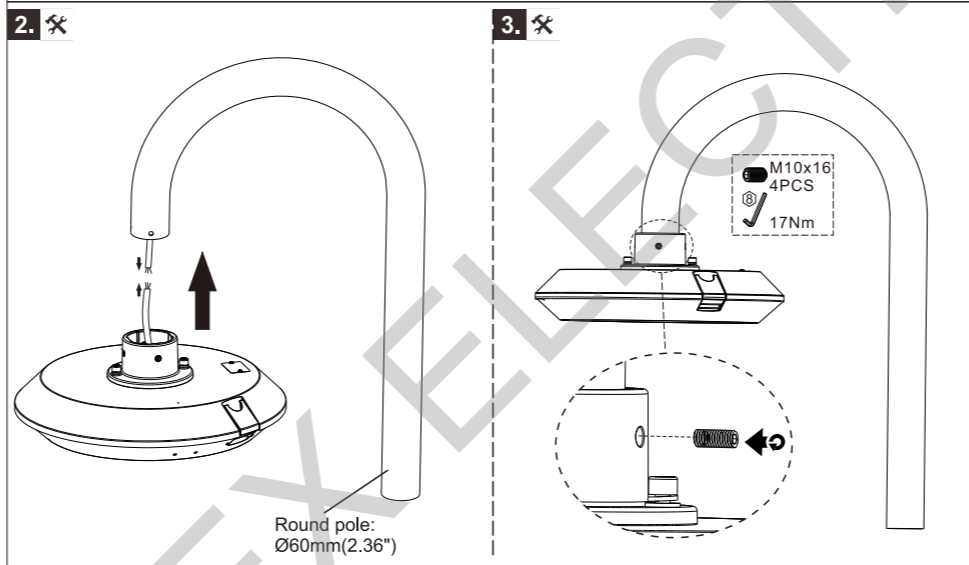
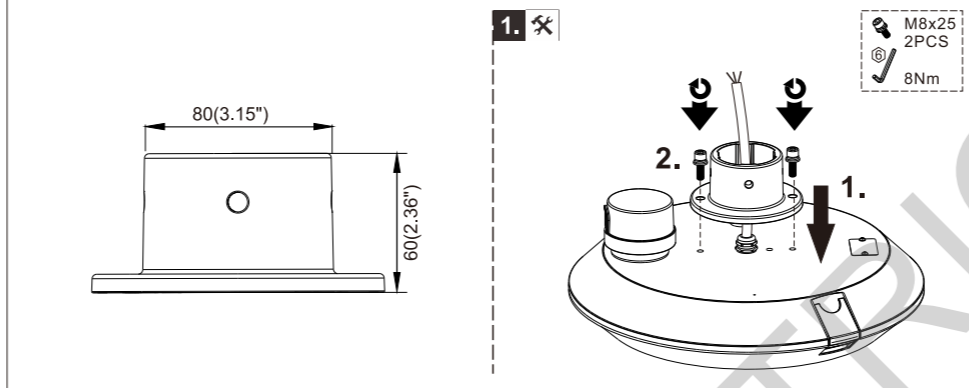
Round pole installation



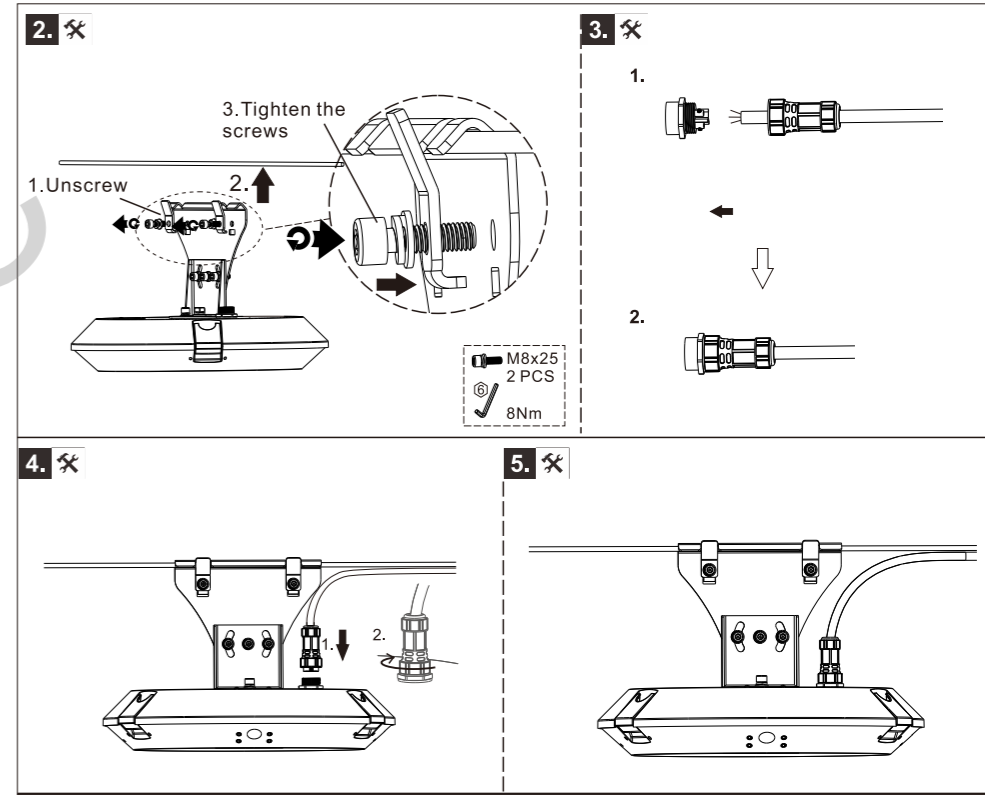
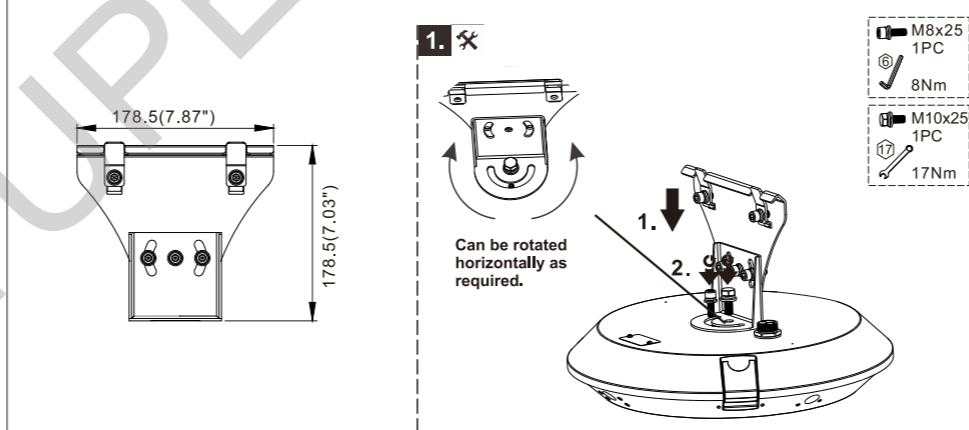
Post top Mount (Unit:mm/inch)



Gooseneck Mount (Unit:mm/inch)



Suspension Mount (Unit:mm/inch)



Product Specifications		30W	50W	60W	75W
Input Voltage		100-240VAC			
Power Frequency		50/60Hz			
Outlook Dimensions		Ø400×81(Ø15.75"×3.19")			
Net Weight (±0.3kg/±0.66Lbs)	Singel Strut Mount	6.8kg(14.99Lbs)			
	Twin Strut Mount	6.5kg(14.33Lbs)			
	Straight-Arm Mount	5.8kg(12.79Lbs)			
	Post top Mount	0.11m²(1.15ft²)			
	Suspention Mount	-30°C to +50°C(-22°F to +122°F)			
Projected Area		-40°C to +70°C(-40°F to +158°F)			
Working Temperature					
Storing Temperature					

L	brown	black
N	blue	white
⊕ GND	yellow/green	green

• Please make sure the luminaire is properly grounded.
 • The light source contained in this luminaire shall only be replaced by the manufacturer or his service agent or a similar qualified person.