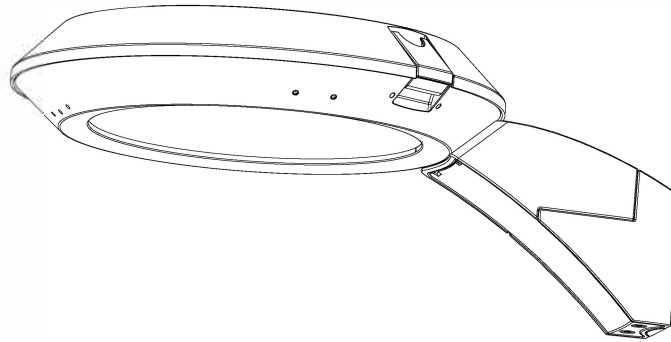


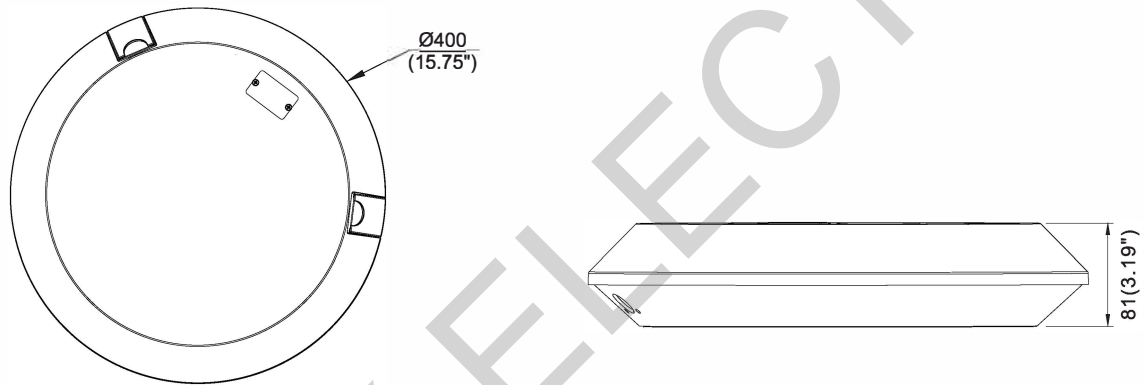
LED Post Top Light

Installation Instructions

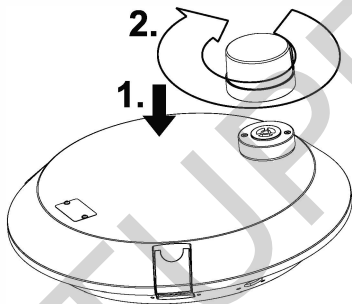
TUPEX ARCH PARETE



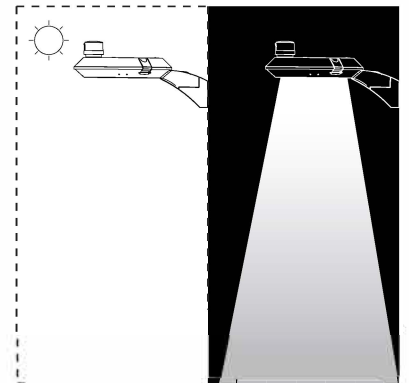
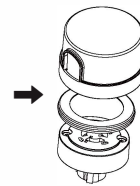
Physical Dimensions(mm/inch)



Twist Lock Photocell(Optional)

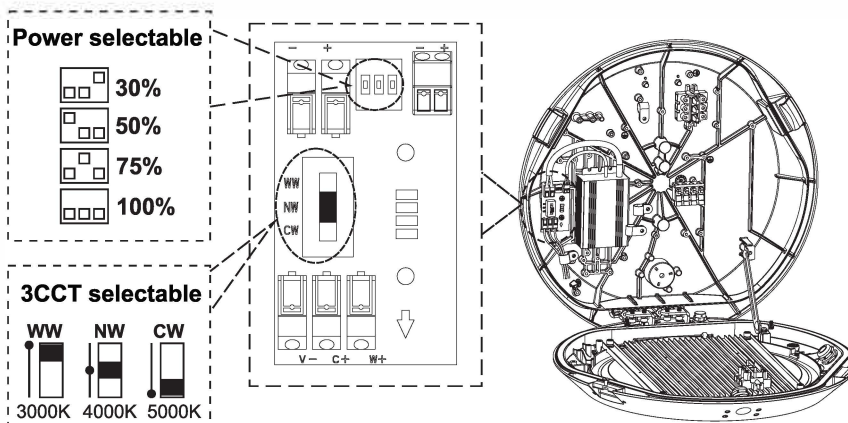


3pin or 5pin or 7pin NEMA



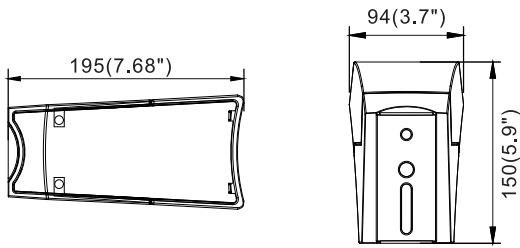
Note: If the luminaire use 3 pin or 5 pin or 7 pin NEMA, it need to add a waterproof gasket between socket and photocell controller.

3 CCT+4 Power selectable(Optional)

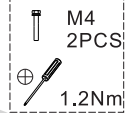
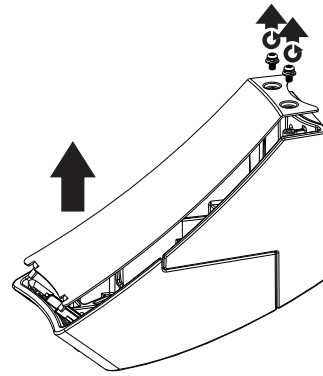


LED Post Top Light

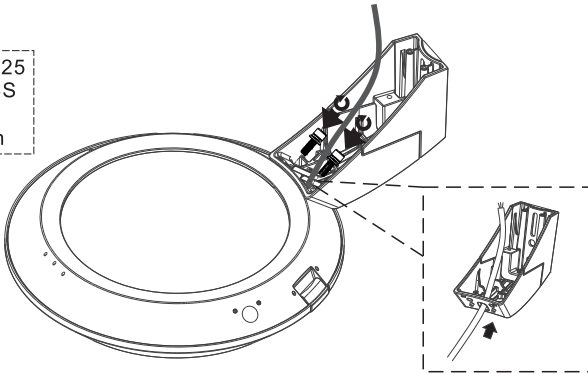
Wall point



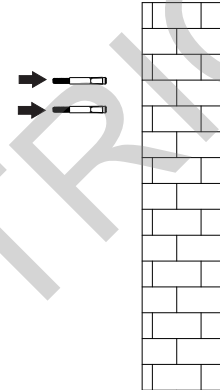
1. ✂



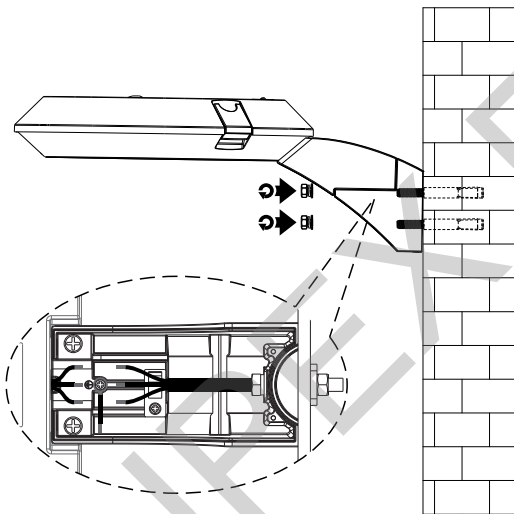
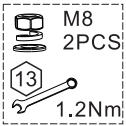
2. ✂



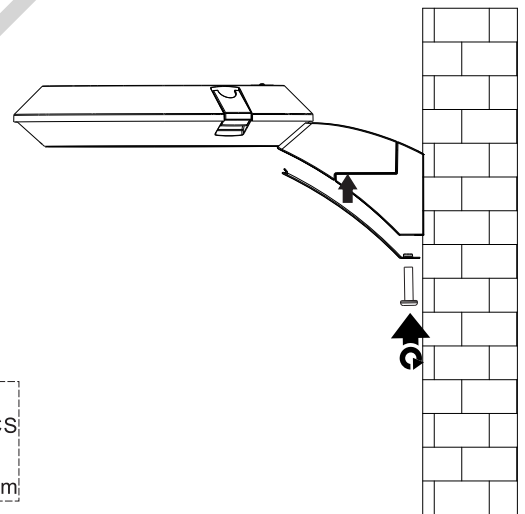
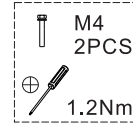
3. ✂



4. ✂



5. ✂



Product Specifications	30W	50W	60W	75W
Input Voltage	100-240VAC			
Power Frequency	50/60Hz			
Outlook Dimensions	Ø400×81(Ø15.75"×3.19")			
Net Weight (±0.3kg/±0.66Lbs)	5.8kg(12.79Lbs)			
Projected Area	0.11m²(1.15ft²)			
Working Temperature	-30°C to +50°C(-22°F to + 122°F)			
Storing Temperature	-40°C to +70°C(-40°F to +158°F)			

L	brown	black
N	blue	white
⊕ GND	yellow/green	green

- Please make sure the luminaire is properly grounded.
- The light source contained in this luminaire shall only be replaced by the manufacturer or his service agent or a similar qualified person.