

RING MINI MEDIUM MAXI

-COD. 101401

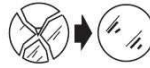
-COD. 101402

ASSEMBLY AND OPERATING INSTRUCTIONS:

-COD. 101403



-Class I fitting electric grounding is needed



-replace the damaged protective glass
-sostituire i vetri di protezione se danneggiati
-die Beschädigten Schutzgläser ersetzen
-remplacer les verres de protection abimés
-glass features: plane float glass - safety tempered
-caratteristiche vetro: vetro piano float di sicurezza temperato
-Glaseigenschaften: Float-Flachglas, gehärtetes Sicherheitsglas
-caractéristiques du verre: type de verre: plan "float" de sûreté trempé



-getting rid of as urban waste forbidden
-separate collection is mandatory when the product is at the end of its life



Made in Italy

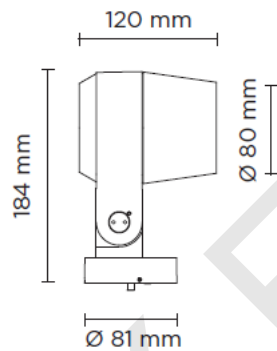
IP66



GB Retain the instructions.
I Conservare le istruzioni.
D Retain the instructions.
F Bewahren Sie die Anleitung.
E Conservez ces instructions.

NB: These assembly instructions must be given to end users for correct maintenance and so that they know how to change the bulb. The appliance must not be tampered with or transformed and it must be installed and used as supplied and in compliance with the National Rules on Installations. Any non-compliant installations will invalidate all forms of guarantee. The company cannot be held

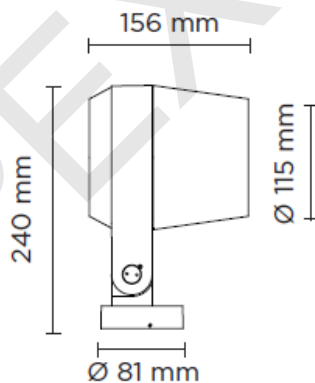
COD. 101401



RING MINI

-Power consumption : 10W
-Voltage : 220-240V 50-60Hz
-Color Temperature : 3000K - 4000K
-Beam angle : 14°-35°-55°
-Insulation class: I
-IK rating : IK08
-IP protection: IP66
-Gross weight: 1.5kg

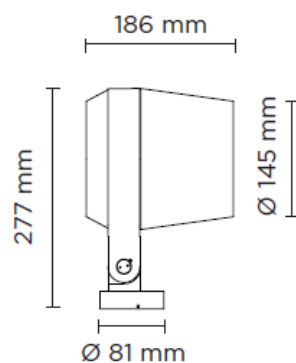
COD. 101402



RING MEDIUM

-Power consumption : 16W
-Voltage : 220-240V 50-60Hz
-Color Temperature : 3000K - 4000K
-Beam angle : 14°-35°-55°
-Insulation class: I
-IK rating : IK10
-IP protection: IP66
-Gross weight: 2.5kg

COD. 101403



RING MAXI

-Power consumption : 42W
-Voltage : 220-240V 50-60Hz
-Color Temperature : 3000K - 4000K
-Beam angle : 14°-35°-55°
-Insulation class: I
-IK rating : IK10
-IP protection: IP66
-Gross weight: 4kg

Recommendations

- 1) verify that the equipment used to connect our devices to enjoy all the guarantees required under European law;
- 2) use the cables, connectors and quality materials for electrical wiring;
- 3) Products with IP66 degree make the wiring / connections with accessories provide the same degree IP of the selected product (available in the catalog);
- 4) In the case of installations outside is not recommended to install the power supplies in the formwork and / or in the junction box without adequate protection
- 5) Honey-comb louvre must be installed directly from the manufacturer . Please mention it during the order

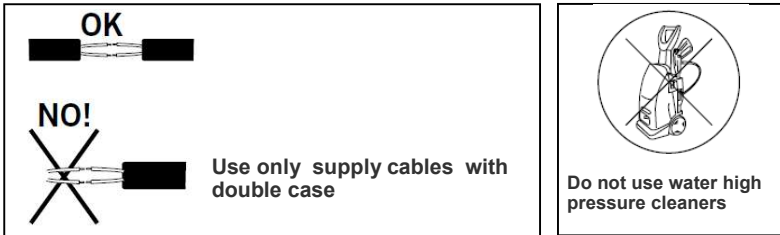
Choice of installation location

The unit should be positioned so that when in use is not subject to direct radiation from the sun or other heat sources . High temperatures reduce the life and efficiency of the components or the LED module .

Note on corrosion protection

For installation and maintenance be especially careful not to damage the coating powder . Damage combined action of water could cause corrosion.

-In the case of damage to the external flexible cable, it must be replaced by the manufacturer, or its assistance service, or equivalent qualified personnel in order to avoid dangers



Installation:

1. Loose the three grub-screws in the base and remove the cover pic.1
2. Prepare holes in corispondance of the feeding point pic. 2
3. Insert the cable through the cable gland pic. 3
4. Fix the base by tighten the screws of the fischer inserts use two o-rings see pic. 4
5. Make the adequate electrical connection pic. 5
6. Close the luminaire by tighten the three grub-screws using the tool included in the package pic. 6
7. Make the regulation of the luminaire horizontal and vertical and then fix it by tighten the grub screws pic 7-8

