

RING MEDIUM HP

RING MEDIUM DMX RGBW

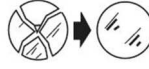
-COD. 101405

-COD. 101405RGBW

ASSEMBLY AND OPERATING INSTRUCTIONS:



-Class I fitting electric grounding is needed



-replace the damaged protective glass
 -sostituire i vetri di protezione se danneggiati
 -die Beschädigten Schutzgläser ersetzen
 -remplacer les verres de protection abimés
 -glass features: plane float glass - safety tempered
 -caratteristiche vetro: vetro piano float di sicurezza temperato
 -Glaseigenschaften: Float-Flachglas, gehärtetes Sicherheitsglas
 -caractéristiques du verre: type de verre: plan* float* de sûreté trempé



-getting rid of as urban waste forbidden
 -separate collection is mandatory when the product is at the end of its life



Made in Italy

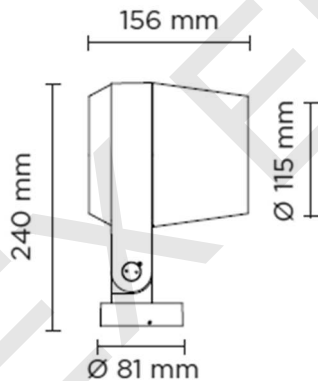
IP66



GB Retain the instructions.
 I Conservare le istruzioni.
 D Retain the instructions.
 F Bewahren Sie die Anleitung.
 E Conservez ces instructions.

NB: These assembly instructions must be given to end users for correct maintenance and so that they know how to change the bulb. The appliance must not be tampered with or transformed and it must be installed and used as supplied and in compliance with the National Rules on Installations. Any non-compliant installations will invalidate all forms of guarantee. The company cannot be held

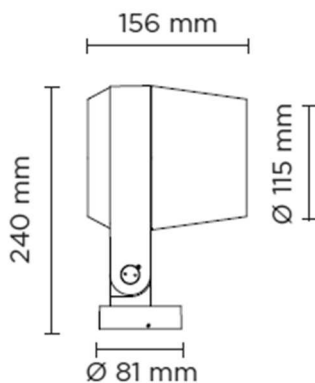
COD. 101405



RING MEDIUM HP

-Power consumption : 20W
 -Voltage : 220-240V 50-60Hz
 -Color Temperature : 3000K - 4000K
 -Beam angle : 4° 10° 28°
 -Insulation class: I
 -IK rating : IK10
 -IP protection: IP66
 -Gross weight: 2.5kg

COD. 101405RGBW



RING MEDIUM DMX RGBW

-Power consumption : 14W
 -Voltage : 220-240V 50-60Hz
 -Color: RGBW
 -Beam angle : 12°-25°-35°
 -Insulation class: I
 -IK rating : IK10
 -IP protection: IP66
 -Gross weight: 2.5kg

Recommendations

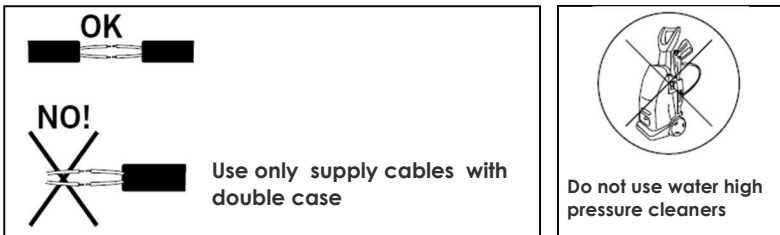
- 1) verify that the equipment used to connect our devices to enjoy all the guarantees required under European law;
- 2) use the cables, connectors and quality materials for electrical wiring;
- 3) Products with IP66 degree make the wiring / connections with accessories provide the same degree IP of the selected product (available in the catalog);
- 4) In the case of installations outside is not recommended to install the power supplies in the formwork and / or in the junction box without adequate protection
- 5) Honey-comb louvre must be installed directly from the manufacturer . Please mention it during the order

Choice of installation location

The unit should be positioned so that when in use is not subject to direct radiation from the sun or other heat sources . High temperatures reduce the life and efficiency of the components or the LED module .

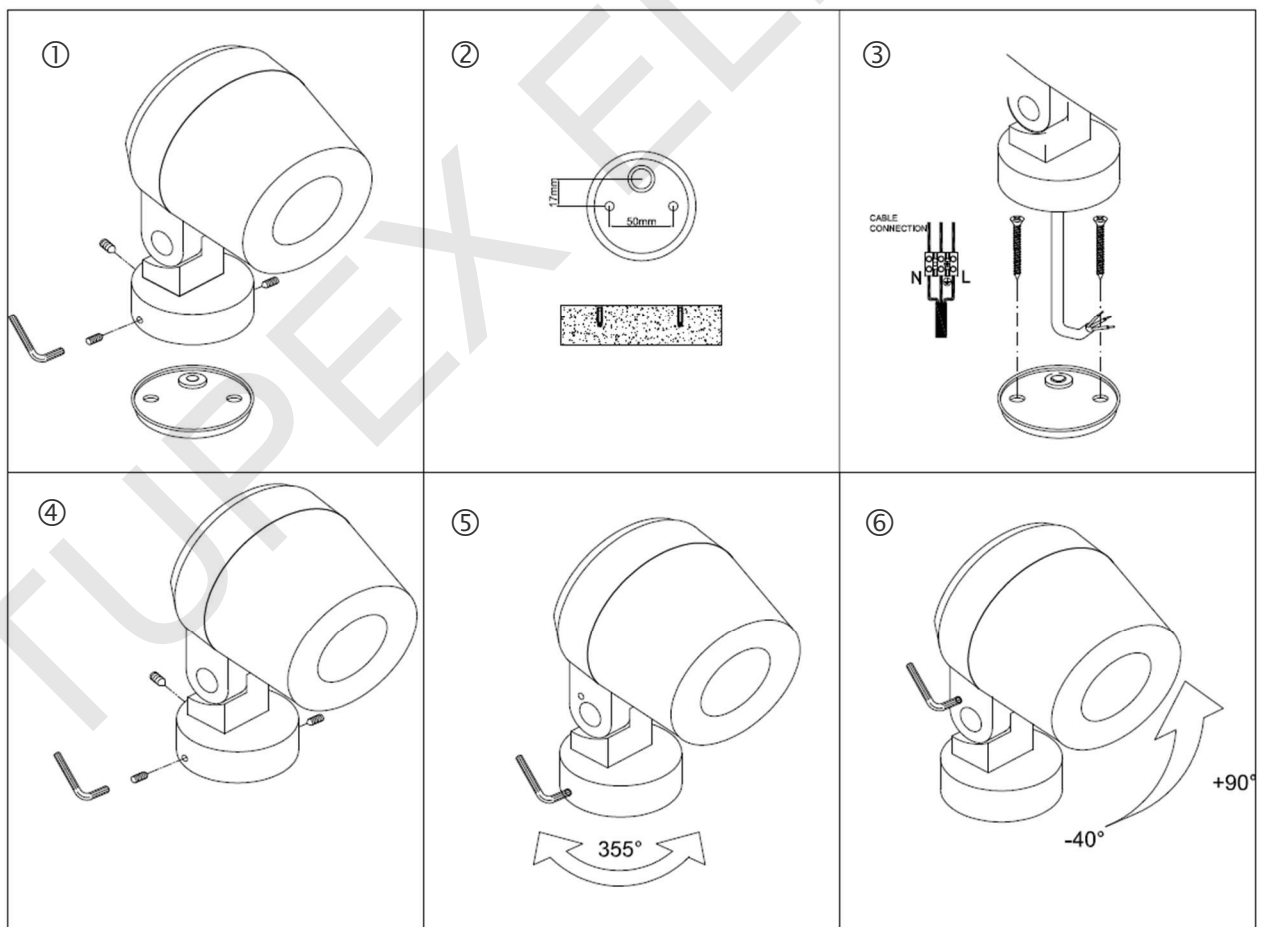
Note on corrosion protection

For installation and maintenance be especially careful not to damage the coating powder . Damage combined action of water could cause corrosion.

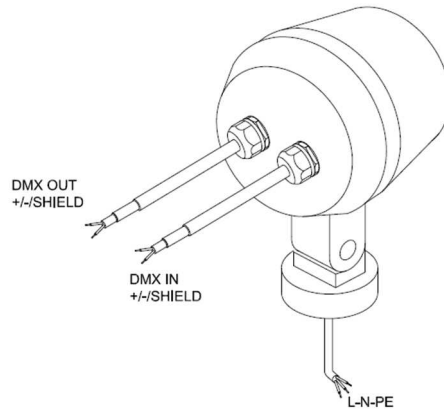


Installation:

1. Loose the three grub-screws in the base and remove the cover pic.1
2. Prepare holes in correspondance of the feeding point pic. 2
3. Fix the base by tighten the screws of the fischer plugs,insert the cable through the cable gland making the adequate electrical connection pic3
4. Close the luminaire by tighten the three grub-screws using the tool included in the package pic. 6
5. Make the regulation of the luminaire horizontal and vertical and then fix it by tighten the grub screws pic 5-6

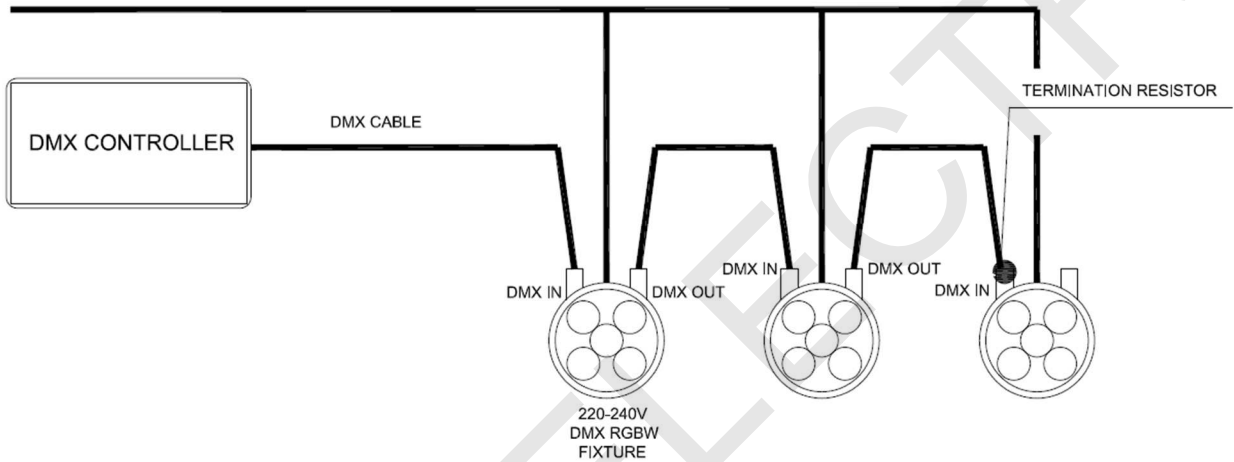


-DMX RGBW Installation:



Wiring diagram for RGBW version:

220-240V



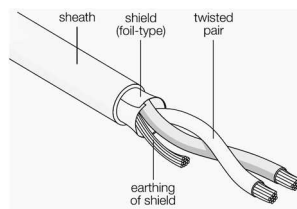
DMX/RDM is a robust and reliable system for lighting control. However, if not implemented correctly, problems can arise such as random flashing of lights, erratic operation and delays in responding to commands. This document explains the best practices in DMX wiring.

The DMX controller sends signals over the DMX cable to the drivers. At the last driver, the cable has to be terminated with a 120Ω resistor to prevent reflections of the signal.

Important things to consider are:

-Always use cable specifically designed for DMX / RS-485. These cables have an impedance of 120Ω and a low capacitance. For instance: Belden 9841 or 3105a.

Belden 9841 cable



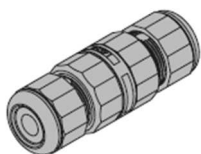
DMX must be terminated with a 120Ω resistor to prevent reflections.

-A daisy chain topology should be used.

-After 32 unit loads a repeater/booster should be used.

-Keep cabling below 300 metres between the controller and the last driver.

CLASS I



See the connector accessory instruction

L Life / Linea / Leitung
Ligne / Linea / Fas
Fase / Фаза / Vaihe
Linha
Brown / Marrone / Braun
Brun / Marrón / Brun
Bruin / коричневый / ruskea
Marrom

N Neutral / Neutro / Null
Neutre / Neutro / Nolla
Nul / Ноль / Nolla
Neutro
Blue / Blu / Blau
Bleu / Azul / Blå
Blauw / синий / Sininen
Azul

 Earth / Terra / Erde
Terre / Tierra / Jord
Aarde / Земля / Suojamaa
Terra
Yellow-Green / Giallo-Verde / Gelb-Grün
Jaune-Vert / Amarillo-Verde / Gul-Grön
Geel-Groen / Желто-зеленый
Keltainen-Vihreä / Amarelo-Verde

ACCESSORIES :

AC044 - SPIKE



AC048
HONEYCOMB LOUVER

