

RING MEGA COB, HP, DMX RGBW

-COD. 101407

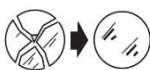
-COD. 101408

ASSEMBLY AND OPERATING INSTRUCTIONS:

-COD. 101408RGBW



-Class II double insulated luminaire (not earthed)



-replace the damaged protective glass
-In case of replacement of damaged glass, contact the manufacturer of the fixture for replacement



-getting rid of as urban waste forbidden
-separate collection is mandatory when the product is at the end of its life



Made in Italy

IP66



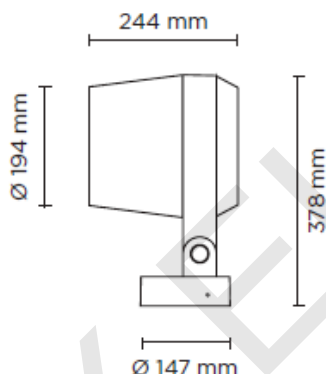
GB Retain the instructions.
I Conservare le istruzioni.
D Retain the instructions.
F Bewahren Sie die Anleitung.
E Conservez ces instructions.



The article is suitable for indoor and outdoor use

NB: These assembly instructions must be given to end users for correct maintenance and so that they know how to change the bulb. The appliance must not be tampered with or transformed and it must be installed and used as supplied and in compliance with the National Rules on Installations. Any non-compliant installations will invalidate all forms of guarantee. The company cannot be held

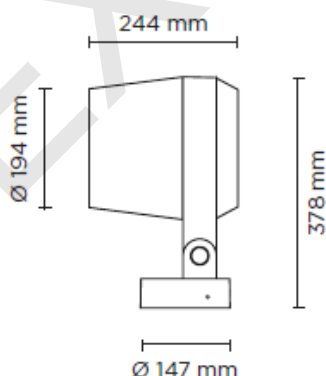
COD. 101407



RING MEGA COB

-Power consumption : 82W
-Voltage : 220-240V 50-60Hz
-Color Temperature : 3000K - 4000K
-Beam angle : 20°-40°
-Insulation class: II
-IK rating : IK10
-IP protection: IP66
-Gross weight: 8g

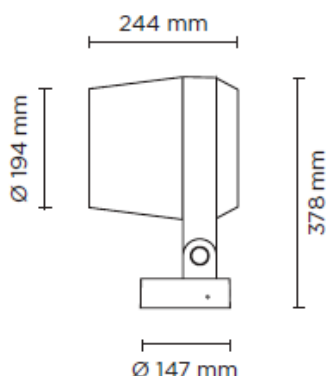
COD. 101408



RING MEGA HP

-Power consumption : 88W
-Voltage : 220-240V 50-60Hz
-Color Temperature : 3000K - 4000K
-Beam angle : 4°-10°-28°
-Insulation class: II
-IK rating : IK10
-IP protection: IP66
-Gross weight: 8kg

COD. 101408RGBW



RING MEGA DMX RGBW

-Power consumption : 56W
-Voltage : 220-240V 50-60Hz
-Color Temperature : 3000K - 4000K
-Beam angle : 12°-25°-35°
-Insulation class: II
-IK rating : IK10
-IP protection: IP66
-Gross weight: 8kg

-Recommendations

- 1) The light source contained in this luminaire must only be replaced by the manufacturer or its assistance service or by equally qualified personnel
- 2) verify that the equipment used to connect our devices to enjoy all the guarantees required under European law;
- 3) use the cables, connectors and quality materials for electrical wiring;
- 4) Products with IP66 degree make the wiring / connections with accessories provide the same degree IP of the selected product (available in the catalog);
- 5) In the case of installations outside is not recommended to install the power supplies in the formwork and / or in the junction box without adequate protection
- 6) Honey-comb louvre must be installed directly from the manufacturer . Please mention it during the order
- 7) the terminal block / connector for connecting to the power supply is not included, installation may require qualified personnel

-Choice of installation location

The unit should be positioned so that when in use is not subject to direct radiation from the sun or other heat sources . High temperatures reduce the life and efficiency of the components or the LED module .

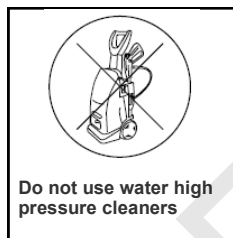
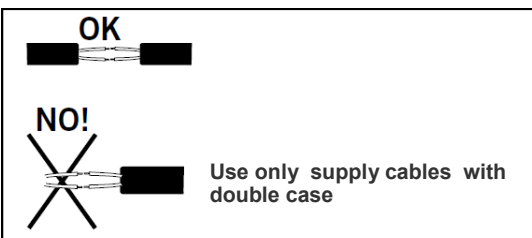
-Note on corrosion protection

For installation and maintenance be especially careful not to damage the coating powder . Damage combined action of water could cause corrosion.

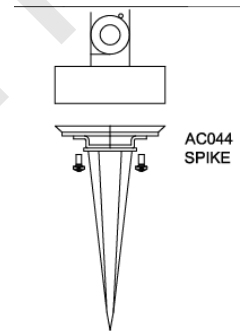
1) In the case of damage to the external flexible cable, it must be replaced by the manufacturer, or its assistance service, or equivalent qualified personnel in order to avoid dangers

2) In case of replacement of damaged glass, contact the manufacturer of the fixture for replacement

-Photobiological risk: RG1 (low risk)

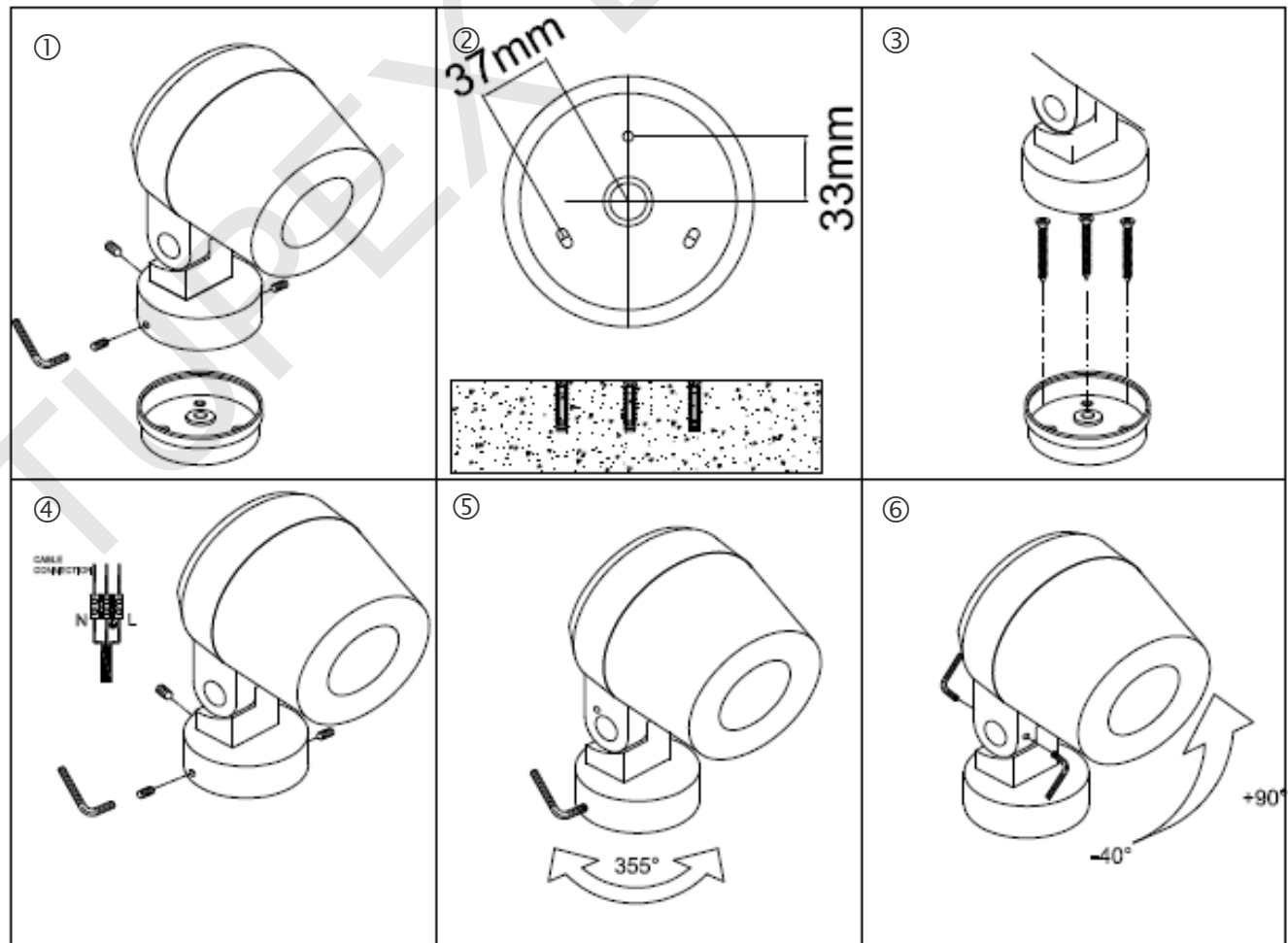


Accessories:



Installation:

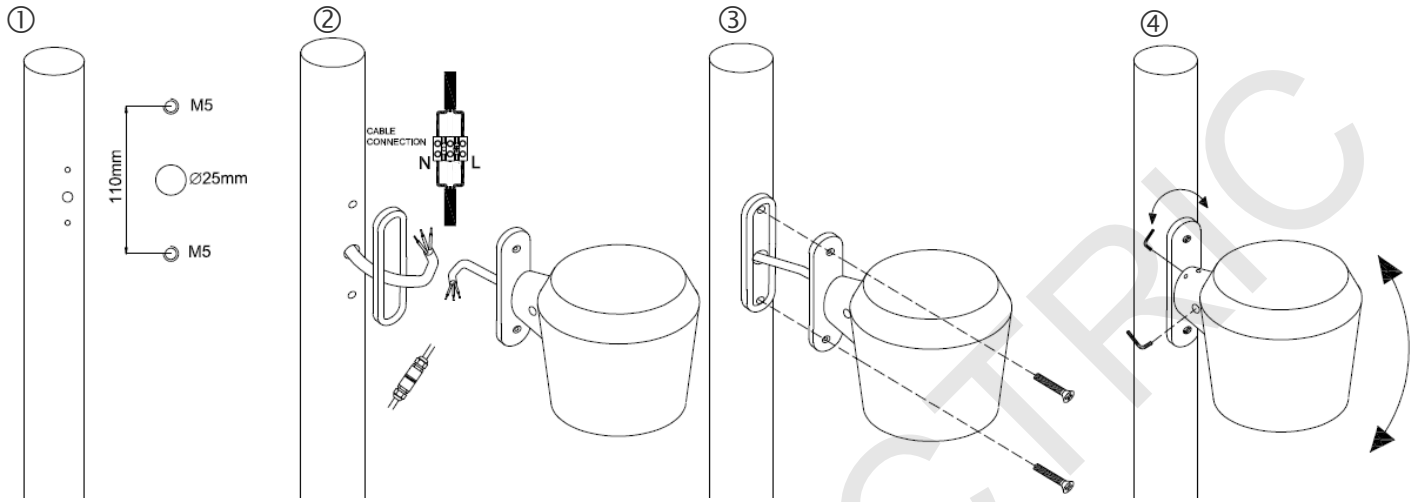
1. Loose the three grub-screws in the base and remove the cover pic.1
2. Prepare holes in correspondance of the feeding point pic. 2
3. Fix the base by tighten the screws of the fischer plugs, insert the cable through the cable gland making the adequate electrical connection pic3
4. Close the luminaire by tighten the three grub-screws using the tool included in the package pic. 6
5. Make the regulation of the luminaire horizontal and vertical and then fix it by tighten the grub screws pic 5-6



AC085 POLE PLATE VERSION

Installation:

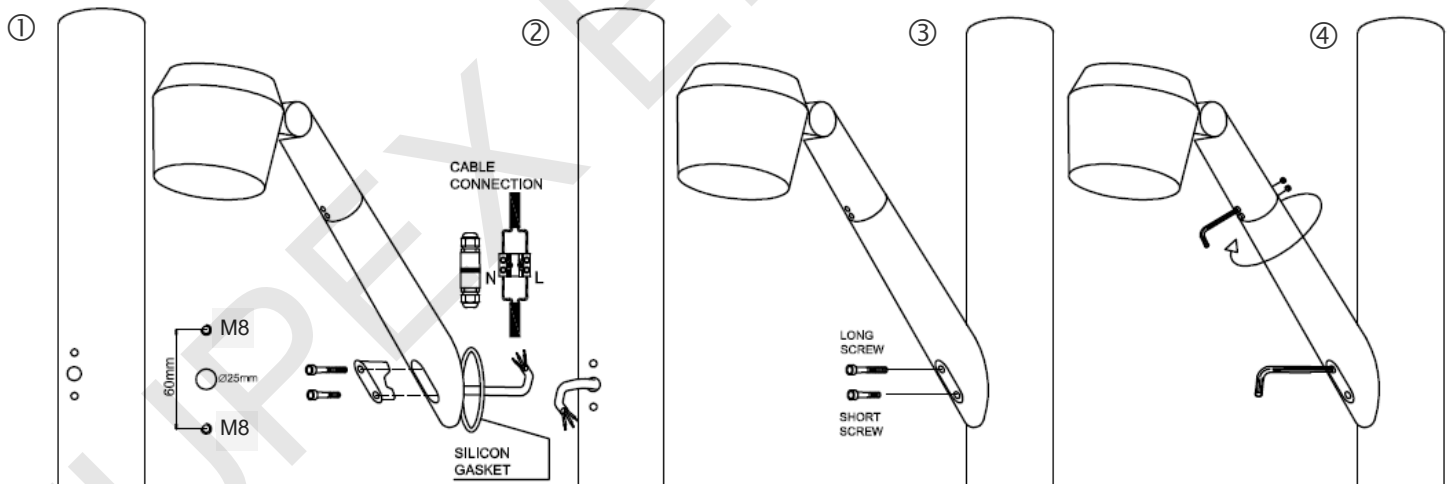
- Prepare holes in the pole in the desired position making two M5 threads and one central hole used to pass through the cables and connectors (pic. 1)
- Place the pole plate gasket and make the electrical connection following the correct safety electrical rules. (pic. 2)
- Fix the luminaire to the pole tightening the two fixing screws (pic.3)
- Adjust the desired angle of the luminaire unscrewing and then tightening the two screws and the grub screws of the luminaire joint using the tools included in the package. (pic.4)



AC089 TREE-BRANCH BRACKET VERSION

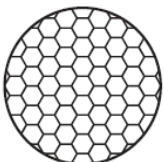
Installation:

- Prepare holes in the pole in the desired position making two M8 threads and one central hole used to pass through the cables and connectors (pic. 1)
- Place the pole plate gasket and make the electrical connection following the correct safety electrical rules. (pic. 2)
- Fix the luminaire to the pole tightening the two fixing screws (pic.3)
- Adjust the desired angle of the luminaire unscrewing and then tightening the two screws and the grub screws of the luminaire joint using the tools included in the package. (pic.4)



ACCESSORIES

AC087
HONEYCOMB
LOUVER



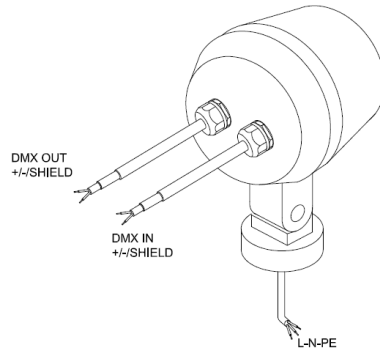
AC086
ANTI-GLARE
VISOR



AC103
SPIKE

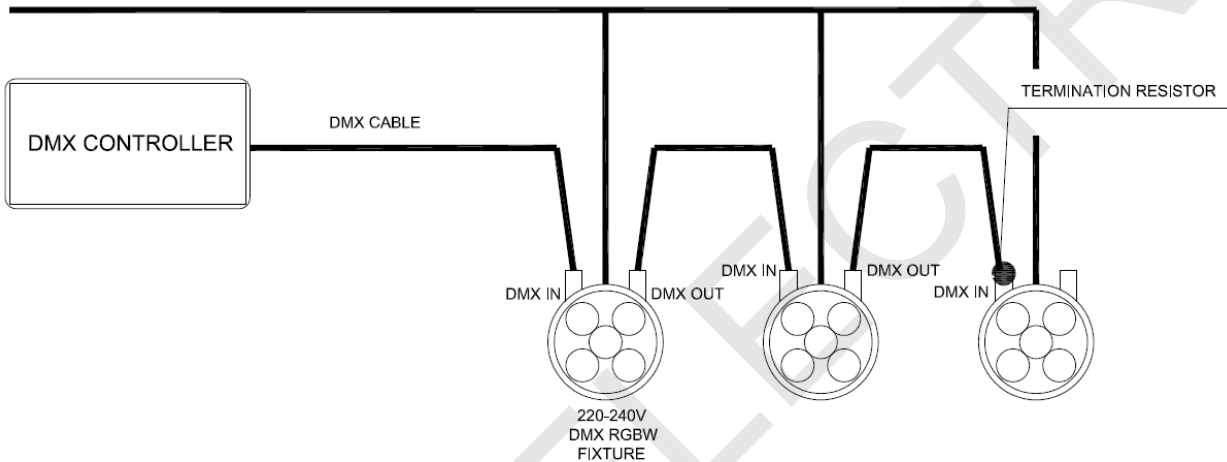


-DMX RGBW Installation:



Wiring diagram for RGBW version:

220-240V



DMX/RDM is a robust and reliable system for lighting control. However, if not implemented correctly, problems can arise such as random flashing of lights, erratic operation and delays in responding to commands. This document explains the best practices in DMX wiring. The DMX controller sends signals over the DMX cable to the drivers. At the last driver, the cable has to be terminated with a 120Ω resistor to prevent reflections of the signal. **Important things to consider are:** -Always use cable specifically designed for DMX / RS-485. These cables have an impedance of 120Ω and a low capacitance. For instance: Belden 9841 or 3105a.

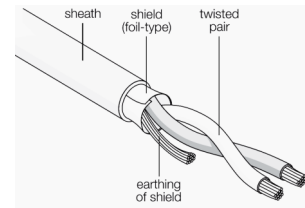
DMX must be terminated with a 120Ω resistor to prevent reflections.

-A daisy chain topology should be used.

-After 32 unit loads a repeater/booster should be used.

-Keep cabling below 300 metres between the controller and the last driver.

Belden 9841 cable



RAEE WEEE

Directive 2002/96/CE (Waste Electrical and Electronic Equipment - RAEE-WEEE-DEE-AEEA: information for users
The crossed out wheeled bin label that can be found on your product indicates that this product should not be disposed of via the normal household waste stream. To prevent possible harm to the environment or human health please separate this product from other waste streams to ensure that it can be recycled in an environmentally sound manner. For more details on available collection facilities please contact your local government office or the retailer where you purchased this product.