

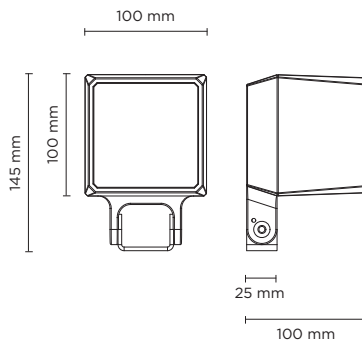


101605RGBW

## QUBO MINI DMX RGBW

Designed by  
NAVA + AROSIO

Floodlight for outdoor installation on a façade/wall, with U shape fixing bracket allowing vertical adjustment of +90° / -40°. Phospho-chromatised and polyester powder coated die-cast copper-free aluminium base and head, tempered safety glass, moulded silicone gaskets, with screws in stainless steel. Remote 24V DC power supply needed, DMX driver integrated; with 1 x CREE "XML" RGBW LED. IP66 rating.



light source	light beam options	lumen output (lm)	lumin. efficacy (lm/w)
<b>RGBW</b>			
high-power led	12°	160	35.55
high-power led	25°	152	33.78
high-power led	35°	145	32.23

### Finish color options:

- Textured Grey  
RAL 9006
- Anthracite Grey  
RAL 7016
- Matt Black  
(on request)

### Technical features



### Technical data

Wattage	4.5 WATT
IP Rating	IP66
IK Rating	IK10
Material	High corrosion resistance die-cast copper-free aluminum body
Coating	Polyester powder coating with phosphochromating pre-finish
Light source	1 x CREE "XML" COLOR RGBW LED
Screws	Stainless steel
DMX	DMX interface integrated
Remote driver	Constant voltage 24V DC remote driver needed
Gasket	Silicone rubber
Glass	Tempered
Power cable	1 mt. power cable included
DMX cable	DMX in & DMX out cables included
Gross weight	1,30 Kg

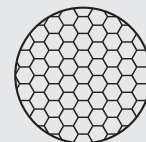
AC044  
SPIKE



AC076  
ANTI-GLARE VISOR



AC072  
HONEYCOMB LOUVER



AC038  
TREE STRAP



### DMX ACCESSORIES

### CONTROLLERS, SPLITTERS, ETC...

To be defined together with puk technical department, according to project specifications and after providing installation details.

