

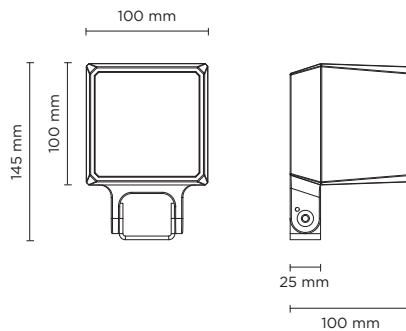


101605

QUBO MINI HP

Designed by
NAVA + AROSIO

Floodlight for outdoor installation on a façade/wall, with U shape fixing bracket allowing vertical adjustment of +90° / -40°. Phospho-chromatised and polyester powder coated die-cast copper-free aluminium base and head, tempered safety glass, moulded silicone gaskets, with screws in stainless steel. Built-in LED driver, with 1 x CREE "XHP35" LED. IP66 rating.



| light source | light beam options | lumen output (lm) | lumin. efficacy (lm/w) |
|--|--------------------|-------------------|------------------------|
| 3000°K warm-white | | | |
| high-power led | 4° | 690 | 86.25 |
| high-power led | 10° | 662 | 82.75 |
| high-power led | 28° | 642 | 80.25 |
| 4000°K neutral-white | | | |
| high-power led | 4° | 703 | 87.88 |
| high-power led | 10° | 676 | 84.50 |
| high-power led | 28° | 656 | 82.00 |
| 2700°K CCT available on request | | | |

Finish color options:

- Textured Grey RAL 9006
- Anthracite Grey RAL 7016
- Matt Black (on request)

Technical features

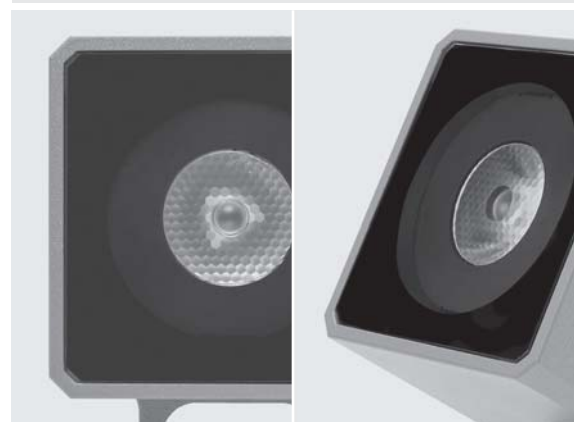


Available on request



Technical data

| | |
|--------------|--|
| Wattage | 8 WATT |
| IP Rating | IP66 |
| IK Rating | IK10 |
| Material | High corrosion resistance die-cast copper-free aluminum body |
| Coating | Polyester powder coating with phosphochromating pre-finish |
| Light source | 1 x CREE "XHP35" LED |
| Screws | Stainless steel |
| Transformer | Electrical power supply 220/240V 50/60Hz built-in |
| Gasket | Silicone rubber |
| Glass | Tempered |
| Power cable | 1 mt. power cable included |
| Gross weight | 1,30 Kg |



OTHER VIEW

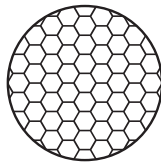


OPTIONAL

AC044
SPIKE



AC072
HONEYCOMB LOUVER



AC076
ANTI-GLARE VISOR



AC038
TREE STRAP

