

NANOSPOT MICRO MINI (+RGBW) MEDIUM

COD 101901

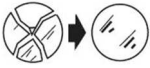
COD 101902

COD 101903

COD 101903 RGBW

COD 101904

ASSEMBLY AND OPERATING INSTRUCTIONS:



-replace the damaged protective glass



-getting rid of as urban waste forbidden
-separate collection is mandatory when the product is at the end of its life



Made in Italy

IP66

IK09

NB: These assembly instructions must be given to end users for correct maintenance and so that they know how to change the LED'S. The appliance must not be tampered with or transformed and it must be installed and used as supplied and in compliance with the National Rules on Installations. Any non-compliant installations will invalidate all forms of guarantee. The company cannot be held responsible for damage caused by incorrect assembly.

-Do not open the device !! For the replacement of the LEDs or for any maintenance inside the appliance, contact the PUK Italia Group company.

<p>Retain the instructions</p>	<p>The article is suitable for indoor and outdoor use</p>
<p>-Electronic equipment sensitive to voltage surges. The installation of a protective device against over-voltages on the electrical system attenuates the phenomena protecting apparatus from the risk of damage.</p>	<p>Do not use high pressure cleaners</p>

<p>COD. 101901</p>		<p>NANOSPOT MICRO HP -Power consumption : 3W -Voltage : 24Vdc -Color: 3000K 4000K -Beam angle : 10° 30° 45° -Insulation class: III -IP protection: IP66 -Gross weight: 0.4kg</p>
---------------------------	--	--

<p>COD. 101902</p>		<p>NANOSPOT MINI COB -Power consumption : 8W -Voltage : 220-240V 50/60Hz -Color: 3000K 4000K -Beam angle : 20° 40° -Insulation class: I -IP protection: IP66 -Gross weight: 0.6kg</p>
---------------------------	--	---

<p>COD. 101903</p>		<p>NANOSPOT MINI HP -Power consumption : 10W -Voltage : MAX 700mA -Color: 3000K 4000K -Beam angle : 4° 10° 28° -Insulation class: III -IP protection: IP66 -Gross weight: 0.6kg</p>
---------------------------	--	---

<p>COD. 101903RGBW</p>		<p>NANOSPOT MINI RGBW -Power consumption : 4.5W -Voltage : 24Vdc -Color: RGBW -Beam angle : 12° 25° 35° -Insulation class: III -IP protection: IP66 -Gross weight: 0.6kg</p>
-------------------------------	--	--

<p>COD. 101904</p>		<p>NANOSPOT MEDIUM COB -Power consumption : 15W -Voltage : 220-240V 50/60Hz -Color: 3000K 4000K -Beam angle : 20° 40° -Insulation class: I -IP protection: IP66 -Gross weight: 1.5kg</p>
---------------------------	--	--

-Recommendations

- 1)The light source contained in this luminaire must only be replaced by the manufacturer or its assistance service or by equally qualified personnel
- 2) verify that the equipment used to connect our devices to enjoy all the guarantees required under European law;
- 3) use the cables, connectors and quality materials for electrical wiring;
- 4) Products with IP66 degree make the wiring / connections with accessories provide the same degree IP of the selected product (available in the catalog);
- 5) In the case of installations outside is not recommended to install the power supplies in the formwork and / or in the junction box without adequate protection
- 6) Honey-comb louvre must be installed directly from the manufacturer . Please mention it during the order
- 7)the terminal block / connector for connecting to the power supply is not included, installation may require qualified personnel

-Choice of installation location

The unit should be positioned so that when in use is not subject to direct radiation from the sun or other heat sources . High temperatures reduce the life and efficiency of the components or the LED module .

-Note on corrosion protection

For installation and maintenance be especially careful not to damage the coating powder . Damage combined action of water could cause corrosion.

1)In the case of damage to the external flexible cable, it must be replaced by the manufacturer, or its assistance service, or equivalent qualified personnel in order to avoid dangers

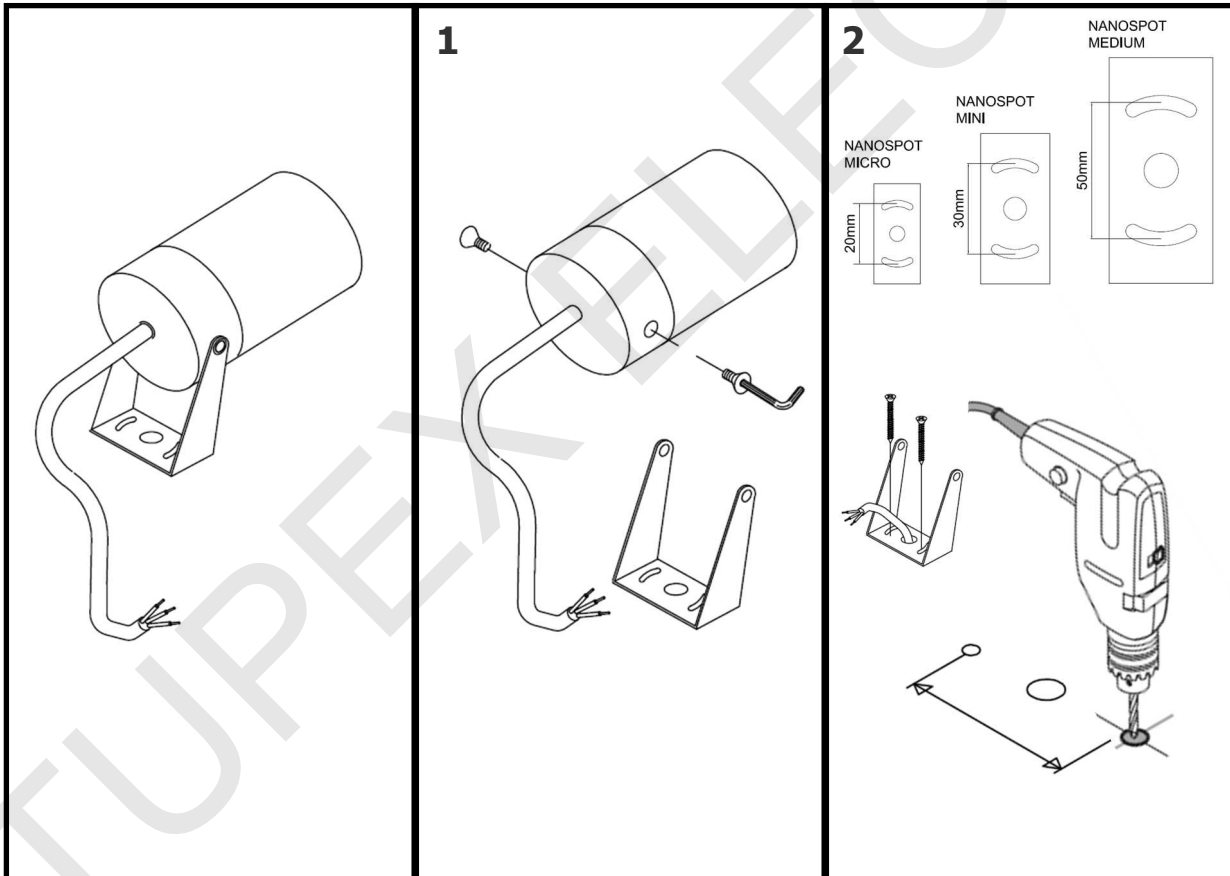
2)In case of replacement of damaged glass, contact the manufacturer of the fixture for replacement

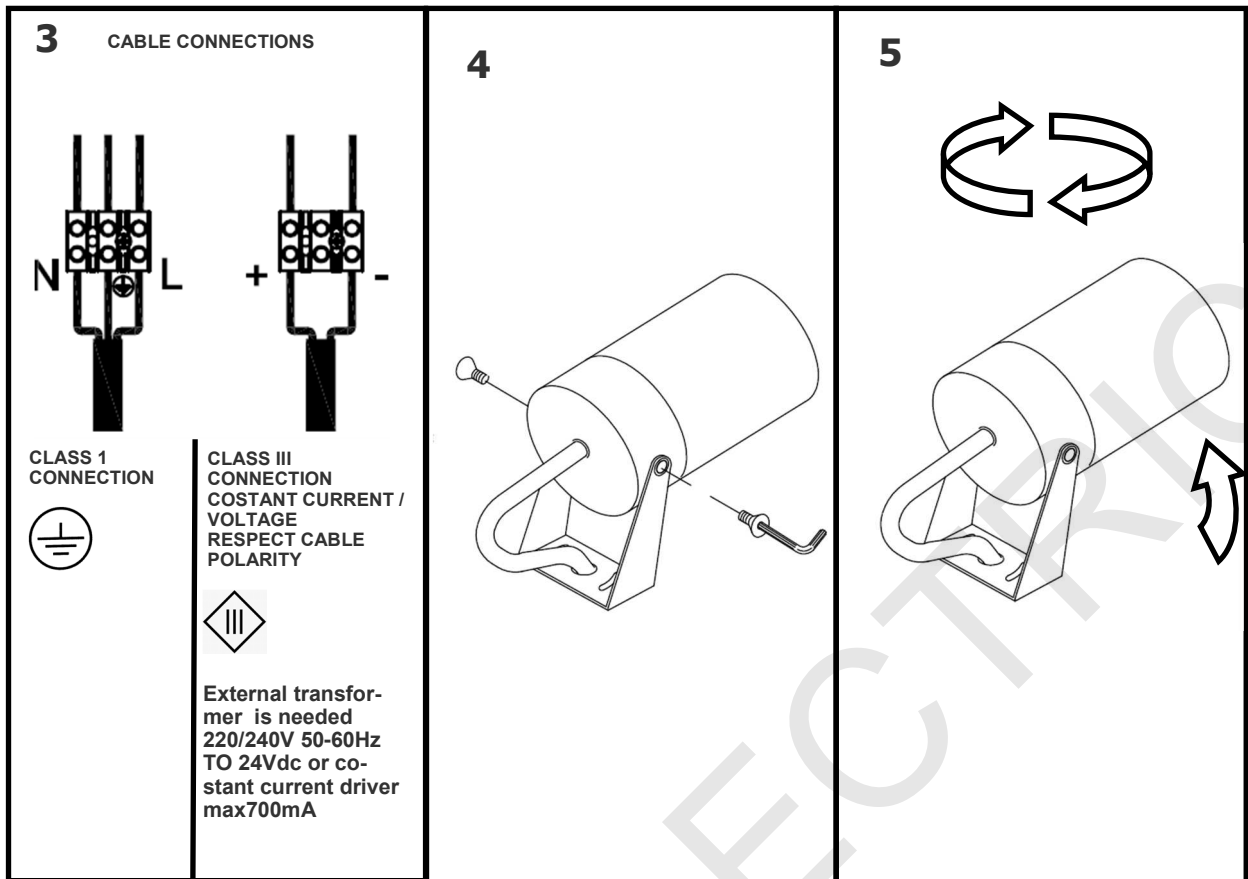
-Photobiological risk: RG1 (low risk)

INSTALLATION

-SWITCH-OFF THE POWER SUPPLY BEFORE CARRYING OUT ANY MAINTENANCE OPERATIONS

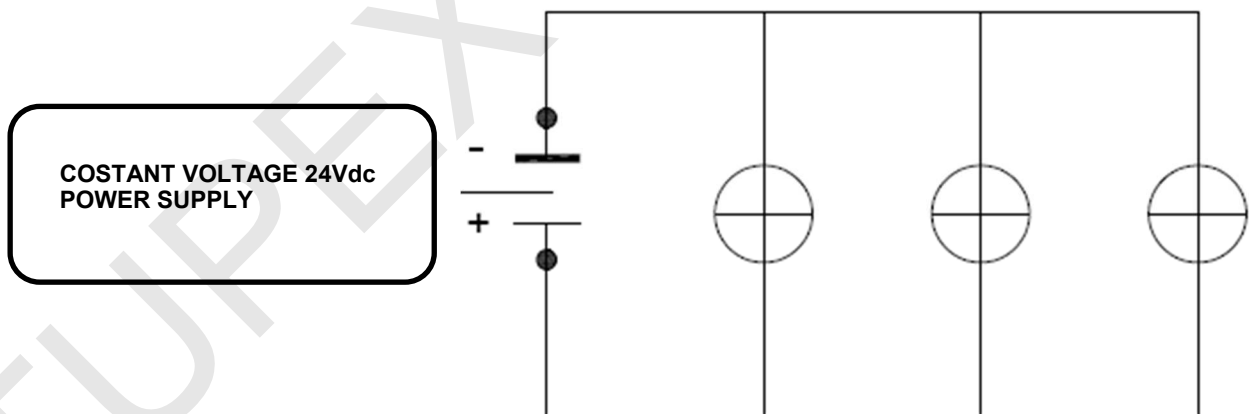
- 1) Remove the fixing bracket from the luminaire using the tool include in the package
- 2) Drill holes directly to the feeding point and place plugs (fisher type) and install the fixing base
- 3) Make the adequate electrical connection remembering that is a low voltage luminaire respecting the polarity of the cable.
- 4) Fix the luminaire to the bracket using the tool included in the package and tighten the two grub-screws
- 5) Make the desired regulation and then tighten the fixing screws





based on the choice of the 24vdc or 220 / 240V 50 / 60Hz version, you will have a different cable output: two red black poles + - for 24Vdc and three blue yellow / green brown poles for 220 / 240V

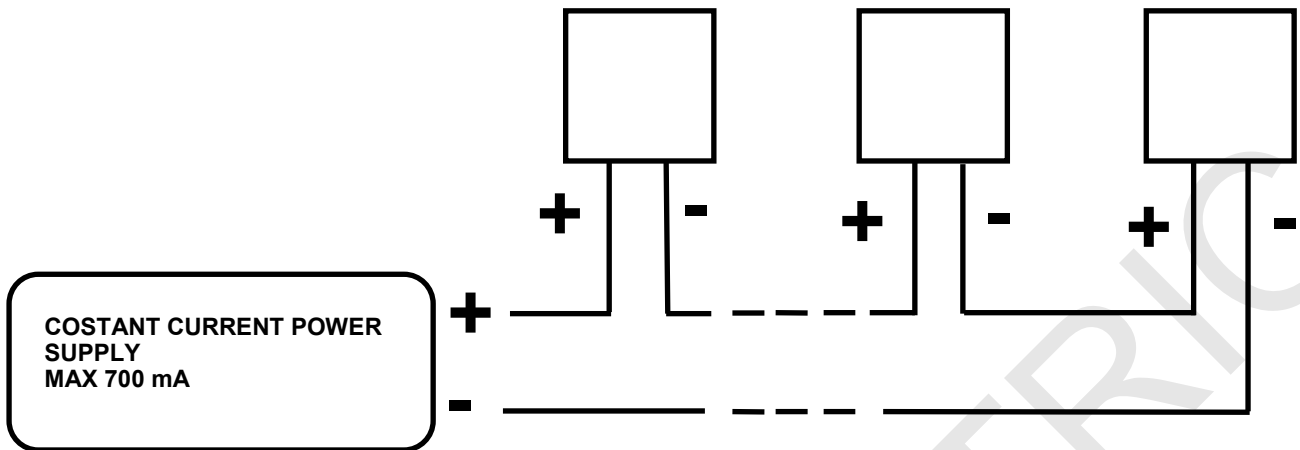
WIRING DIAGRAM WITH PARALLEL CONNECTIONS



remote driver selection

brand	manufacturer code	type	watt	IP rate	numbers of fixtures
Meanwell	LPV-20-24	constant voltage 24V DC	20W	IP67	min 1 - max 4
Meanwell	LPV-35-24	constant voltage 24V DC	35W	IP67	min 1 - max 7
Meanwell	LPV-60-24	constant voltage 24V DC	60W	IP67	min 1 - max 12

WIRING DIAGRAM WITH SERIES CONNECTIONS

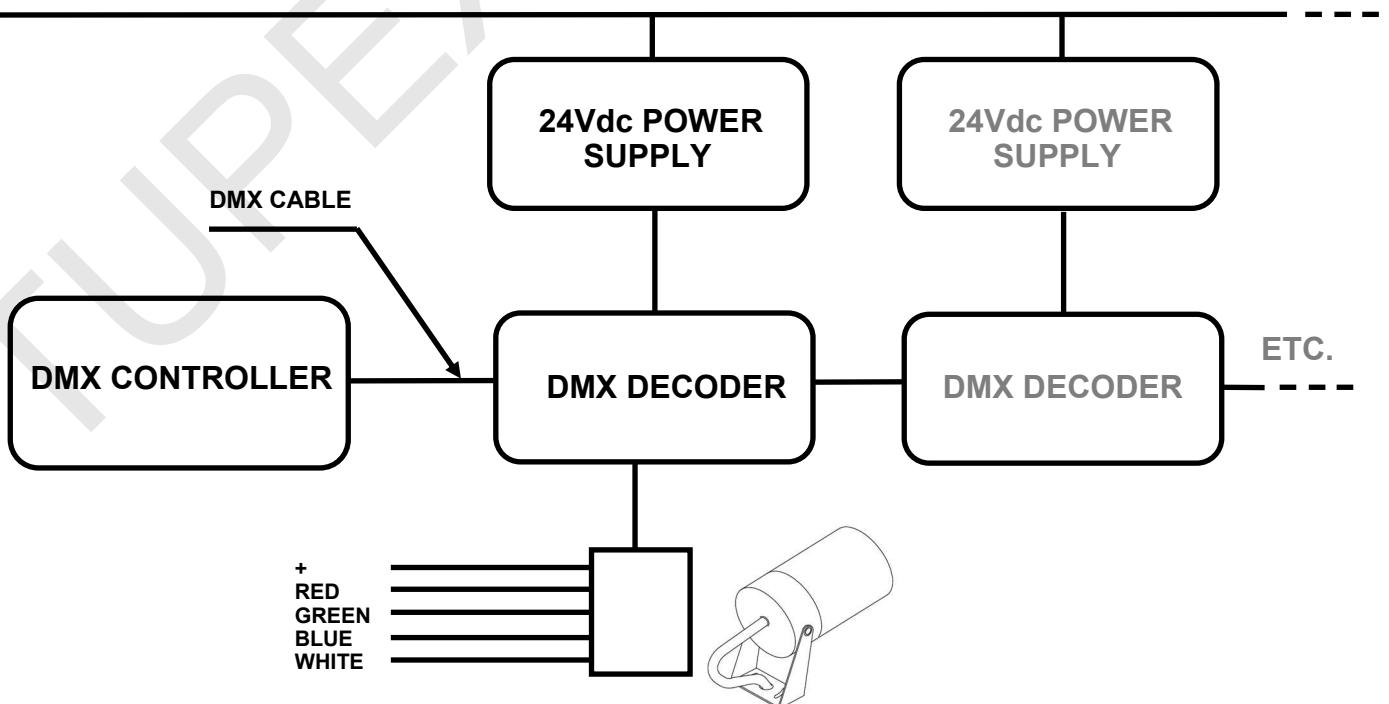


remote driver selection

brand	manufacturer code	type	watt	IP rate	numbers of fixtures
ALVIT Italy	AL1435S-IP	Constant current 350mA	14W	IP67	min 1 - max 2
ALVIT Italy	AL1450S-IP	Constant current 500mA	14W	IP67	1
ALVIT Italy	AL1470S-IP	Constant current 700mA	14W	IP67	1
TCI Italy	152014/350	Constant current 350mA	17W	IP68	min 1 - max 3
TCI Italy	152014/500	Constant current 500mA	24W	IP68	min 1 - max 3
TCI Italy	152014/700	Constant current 700mA	30W	IP68	min 1 - max 3

WIRING DIAGRAM WITH DMX LED DIMMER

220-240V



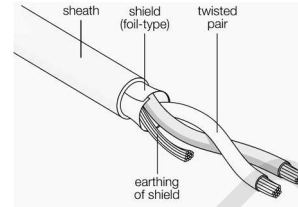
DMX/RDM is a robust and reliable system for lighting control. However, if not implemented correctly, problems can arise such as random flashing of lights, erratic operation and delays in responding to commands. This document explains the best practices in DMX wiring.

The DMX controller sends signals over the DMX cable to the drivers. At the last driver, the cable has to be terminated with a 120Ω resistor to prevent reflections of the signal.

Important things to consider are:

-Always use cable specifically designed for DMX / RS-485. These cables have an impedance of 120Ω and a low capacitance. For instance: Belden 9841 or 3105a.

Belden 9841 cable



DMX must be terminated with a 120Ω resistor to prevent reflections.

-A daisy chain topology should be used.

-After 32 unit loads a repeater/booster should be used.

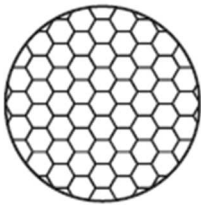
-Keep cabling below 300 metres between the controller and the last driver.

OPTIONALS

AC044
SPIKE



AC094-AC095-AC096
HONEYCOMB LOUVER



AC038
TREE STRAP



AC097-AC098-AC099
ANTI-GLARE SNOOT



EXTENSION PIPES

AC100 PIPE L 300 mm

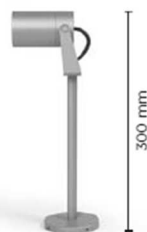
Extension pipe length 300 mm made in anodized aluminum with phospho-chromatised and polyester powder coating.

AC101 PIPE L 600 mm

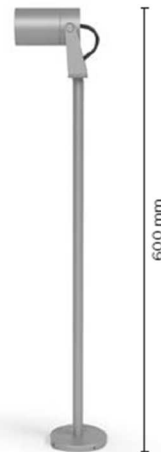
Extension pipe length 600 mm made in anodized aluminum with phospho-chromatised and polyester powder coating.

AC102 PIPE L 900 mm

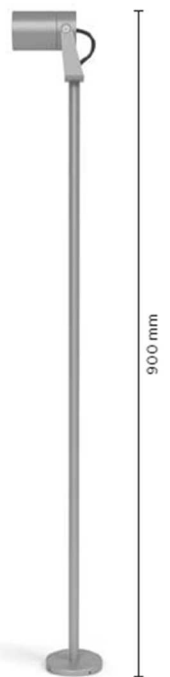
Extension pipe length 900 mm made in anodized aluminum with phospho-chromatised and polyester powder coating.



AC100



AC101



AC102



RAEE - WEEE

GB

Directive 2002/96/CE (Waste Electrical and Electronic Equipment - WEEE): information for users
The crossed out wheeled bin label that can be found on your product indicates that this product should not be disposed of via the normal household waste stream. To prevent possible harm to the environment or human health please separate this product from other waste streams to ensure that it can be recycled in an environmentally sound manner. For more details on available collection facilities please contact your local government office or the retailer where you purchased this product.

I

DIRETTIVA 2002/96/CE (Rifiuti di Apparecchiature Elettriche ed Elettroniche - RAEE): informazioni agli utenti
L'etichetta con il cassonetto barrato presente sul prodotto indica che il prodotto non deve essere smaltito tramite la procedura normale di smaltimento dei rifiuti domestici. Per evitare eventuali danni all'ambiente e alla salute umana separare questo prodotto da altri rifiuti domestici in modo che possa venire riciclato in base alle procedure di rispetto ambientale. Per maggiori dettagli sui centri di raccolta disponibili, contattare l'ufficio governativo locale o il rivenditore del prodotto.

D

Richtlinie 2002/96/EU (Elektro- und Elektronik- Altgeräte - WEEE):

Benutzerinformationen

Der Aufkleber mit durchgekreuzter Mülltonne an diesem Produkt weist darauf hin, dass dieses Produkt nicht im normalen Hausmüll entsorgt werden darf. Zur Vermeidung einer möglichen Beeinträchtigung der Umwelt oder der menschlichen Gesundheit darf dieses Produkt nicht in den Hausmüll gegeben werden, um zu gewährleisten, dass es in einer umweltverträglichen Weise recycelt wird. Wenden Sie sich für Informationen zu Entsorgungseinrichtungen an die zuständige Behörde oder das Geschäft, in dem Sie dieses Produkt erworben haben.

F

Directive 2002/96/CE (Déchets d'équipements électriques et électroniques - DEEE):
informations aux utilisateurs

L'étiquette apposée sur ce produit et représentant une poubelle à roulettes rayée indique que le produit ne peut être mis au rebut avec les déchets domestiques normaux. Afin d'éviter d'éventuels dommages au niveau de l'environnement ou de la vie humaine, veuillez séparer ce produit des autres déchets de manière à garantir qu'il soit recyclé de manière sûre au niveau environnemental. Pour plus de détails sur les sites de collecte existants, veuillez contacter l'administration locale ou le détaillant auprès duquel vous avez acheté ce produit.

E

Directiva 2002/96/CE (Residuos de aparatos eléctricos y electrónicos - RAEE):

Información para el usuario

La etiqueta de un contenedor tachado que hallará en su producto indica que este producto no se puede tirar con la basura doméstica normal. Para impedir posibles daños medioambientales o para la salud, separe este producto de otros canales de desecho para garantizar que se recicle de una forma segura para el medio ambiente.

Para más información sobre las instalaciones de recolección disponibles, diríjase a las autoridades locales o al punto de venta donde adquirió este producto

SE

Directive 2002/96/CE (Waste Electrical and Electronic Equipment - WEEE) information for users

Symbolen med en överkorsad soptunna innebär att denna produkt inte får kastas i vanligt hushållsavfall. För att skydda miljön och hälsan bör denna produkt inte kastas tillsammans med vanligt hushållsavfall utan lämnas för återvinning på tillbörligt sätt. Örmer information om uppsamlingsplatser, kontakta en lokal myndighet eller den återförsäljare som du köpte produkten från.

NL

Richtlijn 2002/96/EG (Afgedankte Elektrische en Elektronische Apparaten - AEEA):

informatie voor de gebruikers

Op uw product is een label van een rolcontainer met een kruis erdoor aangebracht. Dit wil zeggen dat dit product niet bij het normale huishoudelijk afval mag worden gedaan. Om eventuele schade aan het milieu of de gezondheid van de mens te voorkomen moet dit product gescheiden van al het ander afval worden ingezameld, zodat het op een verantwoorde wijze kan worden verwerkt. Voor meer informatie over uw lokale afvalinzameling wendt u zich tot uw gemeente of de leverancier bij wie u dit product hebt gekocht.



This information only applies to customers in the European Union, according to Directive 2002/96/EC OF THE EUROPEAN PARLIAMENT AND OF THE COUNCIL OF 27 January 2003 on waste electrical and electronic equipment (WEEE) and legislation transposing and implementing it into the various national legal systems.