

TAG MINI MEDIUM 01-02

ASSEMBLY AND OPERATING INSTRUCTIONS:

COD. 402501

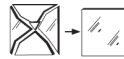
COD. 402502

COD. 402503

COD. 402503



--Class I fitting electric grounding is needed



-replace the damaged protective glass

-glass features: plane float glass - safety tempered



-getting rid of as urban waste forbidden
-separate collection is mandatory when the product is at the end of its life

IP65

-Complete protection from dust and water jets



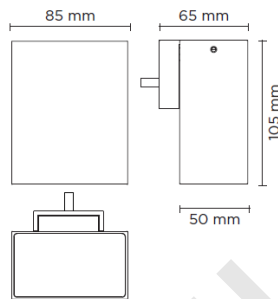
Made in Italy **IK 08**



GB Retain the instructions.
I Conservare le istruzioni.
D Retain the instructions.
F Bewahren Sie die Anleitung.
E Conservez ces instructions.

NB: These assembly instructions must be given to end users for correct maintenance and so that they know how to change the bulb. The appliance must not be tampered with or transformed and it must be installed and used as supplied and in compliance with the National Rules on installations. Any non-compliant installations will invalidate all forms of guarantee. The company cannot be held responsible for damage caused by incorrect assembly.

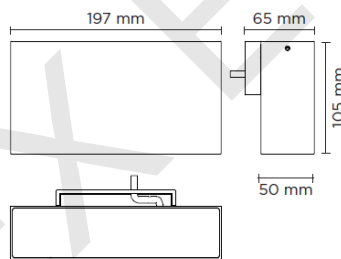
COD. 402501



TAG MINI 01

-Power consumption : 4.5W
-Voltage :220-240V 50-60Hz
-Color Temperature : 3000K - 4000K
-Lens Type : 18° - 36°
-Insulation class: I
-IP protection: IP65
-Gross weight: 1kg

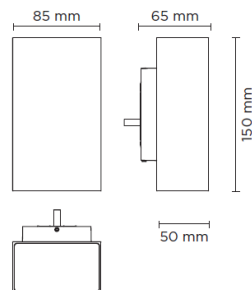
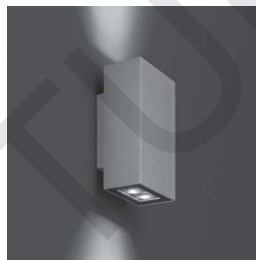
COD. 402502



TAG MEDIUM 01

-Power consumption : 8W
-Voltage :220-240V 50-60Hz
-Color Temperature : 3000K — 4000K
-Lens Type : 18° - 36°
-Insulation class: I
-IP protection: IP65
-Gross weight: 1.5kg

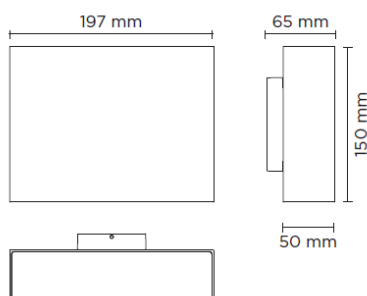
COD. 402503



TAG MINI 02

-Power consumption : 7W
-Voltage :220-240V 50-60Hz
-Color Temperature : 3000K — 4000K
-Lens Type : 18° - 36°
-Insulation class: I
-IP protection: IP65
-Gross weight: 1.2kg

COD. 402504



TAG MEDIUM 02

-Power consumption : 15W
-Voltage :220-240V 50-60Hz
-Color Temperature : 3000K — 4000K
-Lens Type : 18° - 36°
-Insulation class: I
-IP protection: IP65
-Gross weight: 2 kg

Recommendations

- 1) verify that the equipment used to connect our devices to enjoy all the guarantees required under European law;
 - 2) use the cables, connectors and quality materials for electrical wiring;
 - 3) Products with IP65/68 degree make the wiring / connections with accessories provide the same degree IP of the selected product (available in the catalog);
 - 4) In the case of installations outside is not recommended to install the power supplies in the formwork and / or in the junction box without adequate protection
 - 5)-Terminal block not included. Installation may require advice from a qualified person. For wiring use a terminal complies with EN60998-2-1, EN 60998-2-2.
- The IP rating of the electrical connection must be equal to or greater than the IP rating of the luminaire.
- 6)-In the case of damage to the external flexible cable, it must be replaced by the manufacturer, or its assistance service, or equivalent qualified personnel in order to avoid dangers
 - 7)-Do not open the device !! For the replacement of the LEDs or for any maintenance inside the appliance, contact the PUK Italia Group company.

Choice of installation location

The unit should be positioned so that when in use is not subject to direct radiation from the sun or other heat sources . High temperatures reduce the life and efficiency of the components or the LED module .

Maintenance:

-it is essential to do a frequent cleaning of the glass and of the outer surface of the fixture to avoid build up of mud and dirtiness resulting in dangerous overheating due to uncorrect light and heat dissipation. Clean carefully the glass screen removing limestone deposits by means of a scraper.

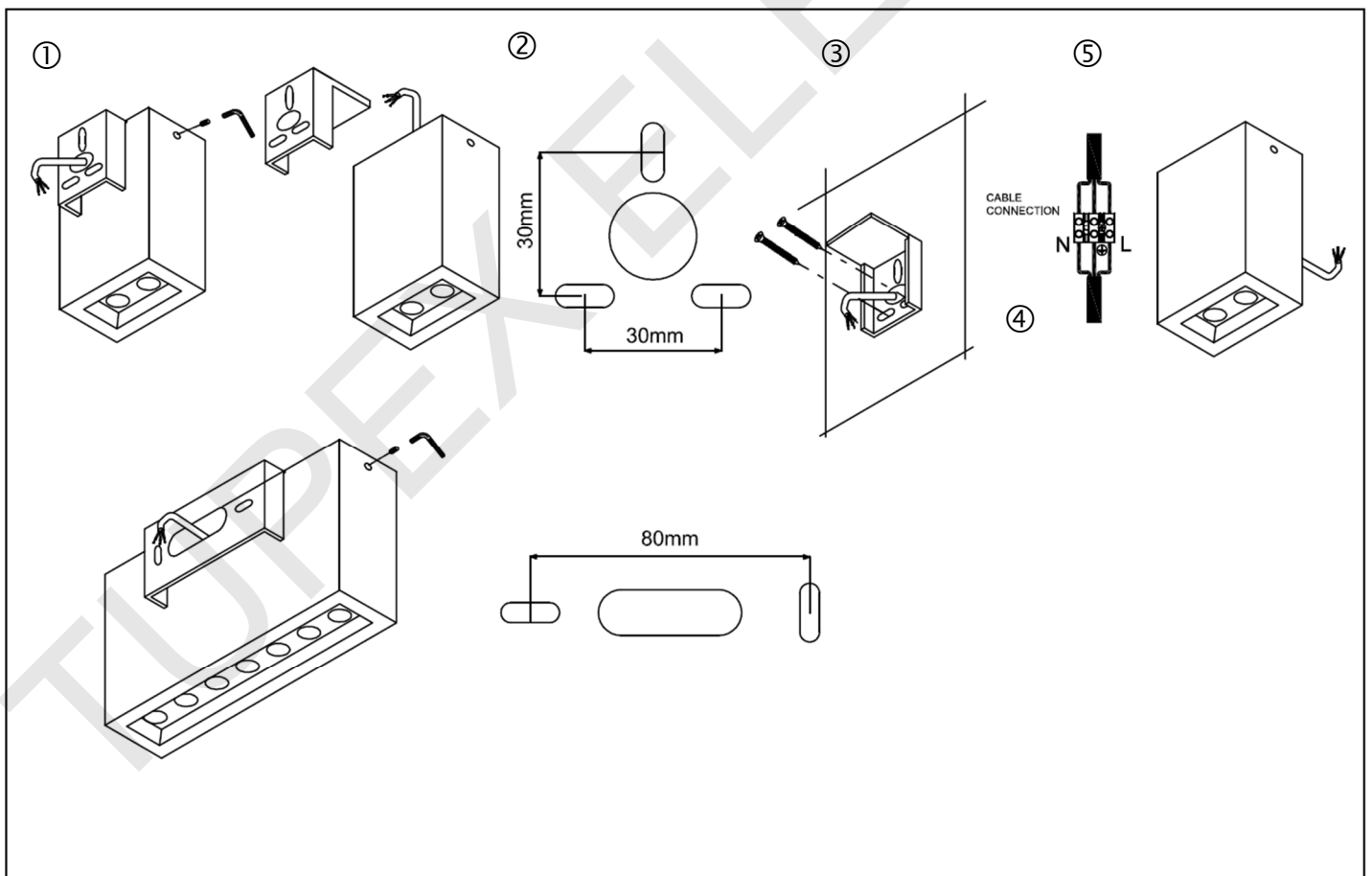
.The replacement must be done by a qualified electrician.

INSTALLATION:

-SWITCH-OFF THE POWER SUPPLY BEFORE CARRYING OUT ANY MAINTENANCE OPERATION

TAG MINI MEDIUM 01

- 1 Remove the luminaire base by uncsrewing the grub screw using the hexagonal tool included in the package pic.1
- 2 Prepare holes in the ceiling using plugs type fischer (not included in the package) pay attention to the light direction light up or down (the example shows the position light down)
- 3 Fix the plate to the wall
- 4 Tighten the plugs screws and fix the cover to the ceiling
- 5 Make the adequate electrical connection to the terminal
- 6 Place the luminaire to the base by tighten the grub screw using the hexagonal tool.



INSTALLATION:

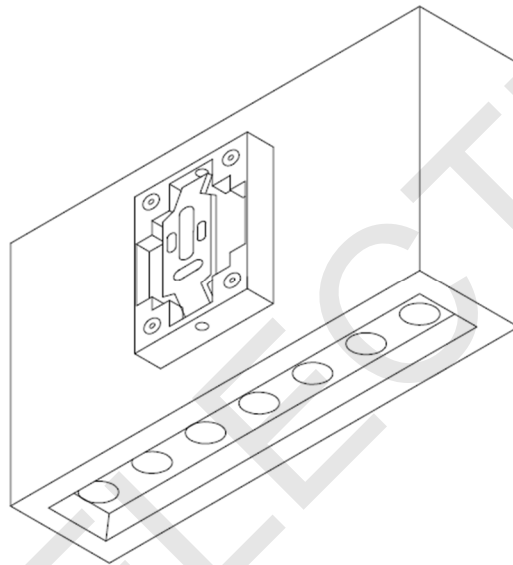
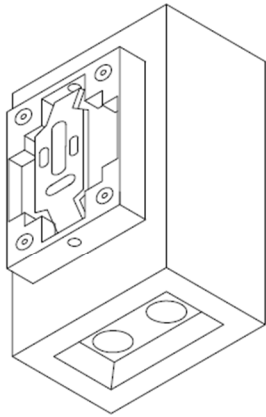
-SWITCH-OFF THE POWER SUPPLY BEFORE CARRYING OUT ANY MAINTENANCE OPERATION

TAG MINI MEDIUM 02

- 1 Remove the fixing plate unscrewing the grub screws using the hexagonal tool included in the package PIC 1 –2
- 2 Prepare holes in the wall using plugs type fischer (not included in the package) in correspondance of the feeding point and fix the plate to the wall PIC 3
- 4 Remove the base of the luminaire by unscrewing the 4 hexagonal head screws using the tool included in the package. PIC 4
- 5 Insert the terminal cable through the cable gland and then make the adequate electrical connection to the terminal using the clip clamps positioned inside of the luminaire PIC 5
- 6 Remount the base to the body and then fix the luminaire to the wall in correspondance of the fixing plate and fix it tighten the grub screws.

TAG MINI 02

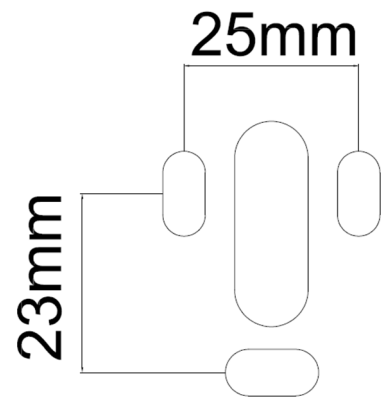
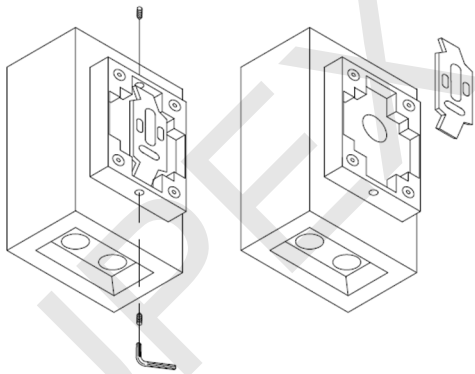
TAG MEDIUM 02



①

②

③



④

⑤

