

# TAG MINI MEDIUM 03

COD. 708001

COD. 708002

## ASSEMBLY AND OPERATING INSTRUCTIONS:



-Class I fitting electric grounding is needed



-replace the damaged protective glass

-glass features: plane float glass - safety tempered



-getting rid of as urban waste forbidden  
-separate collection is mandatory when the product is at the end of its life

**IP65**

-Complete protection from dust and water jets



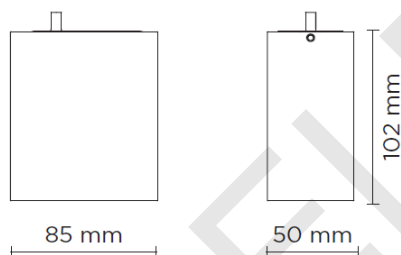
Made in Italy **IK 08**



GB Retain the instructions.  
I Conservare le istruzioni.  
D Retain the instructions.  
F Bewahren Sie die Anleitung.  
E Conservez ces instructions.

**NB:** These assembly instructions must be given to end users for correct maintenance and so that they know how to change the bulb. The appliance must not be tampered with or transformed and it must be installed and used as supplied and in compliance with the National Rules on Installations. Any non-compliant installations will invalidate all forms of guarantee. The company cannot be held responsible for damage caused by incorrect assembly.

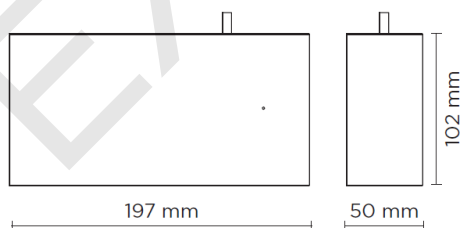
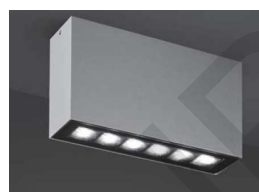
### COD. 708001



#### TAG MINI 03

-Power consumption : 4.5W  
-Voltage : 220-240V 50-60Hz  
-Color Temperature : 3000K - 4000K  
-Lens Type : 18° - 36°  
-Insulation class: I  
-IP protection: IP65  
-Gross weight: 0.8kg

### COD. 708002



#### TAG MEDIUM 03

-Power consumption : 8W  
-Voltage : 220-240V 50-60Hz  
-Color Temperature : 3000K — 4000K  
-Lens Type : 18° - 36°  
-Insulation class: I  
-IP protection: IP65  
-Gross weight: 1.5kg

### THE WARRANTY IS FALLING IN THE FOLLOWING CASES:

- 1) Malfunctions due to improper use of the product, modifications, repairs inadequate, negligence on the part of the installer / electrician, failure to assembly instructions and / or data plate;
- 2) Installations in plants not comply with the general safety;
- 3) Damage caused by natural causes such as lightning, fire or flooding;
- 4) Damage caused by wiring / connections with IP degree lower than the selected product.
- 5) Damage occurring during shipment of the product. In these cases the damage will be to charge and notify the carrier;
- 6) The warranty covers only the integrity of the product and NOT any costs of removal of the same;

## Recommendations

- 1) verify that the equipment used to connect our devices to enjoy all the guarantees required under European law;
- 2) use the cables, connectors and quality materials for electrical wiring;
- 3) Products with IP65/68 degree make the wiring / connections with accessories provide the same degree IP of the selected product (available in the catalog);
- 4) In the case of installations outside is not recommended to install the power supplies in the formwork and / or in the junction box without adequate protection
- 5)-Terminal block not included. Installation may require advice from a qualified person. For wiring use a terminal complies with EN60998-2-1, EN 60998-2-2.

The IP rating of the electrical connection must be equal to or greater than the IP rating of the luminaire.

6)-In the case of damage to the external flexible cable, it must be replaced by the manufacturer, or its assistance service, or equivalent qualified personnel in order to avoid dangers

7)-Do not open the device !! For the replacement of the LEDs or for any maintenance inside the appliance, contact the PUK Italia Group company.

## Choice of installation location

The unit should be positioned so that when in use is not subject to direct radiation from the sun or other heat sources . High temperatures reduce the life and efficiency of the components or the LED module .

## Maintenance:

-it is essential to do a frequent cleaning of the glass and of the outer surface of the fixture to avoid build up of mud and dirtiness resulting in dangerous overheating due to uncorrect light and heat dissipation. Clean carefully the glass screen removing limestone deposits by means of a scraper.

**.The replacement must be done by a qualified electrician.**

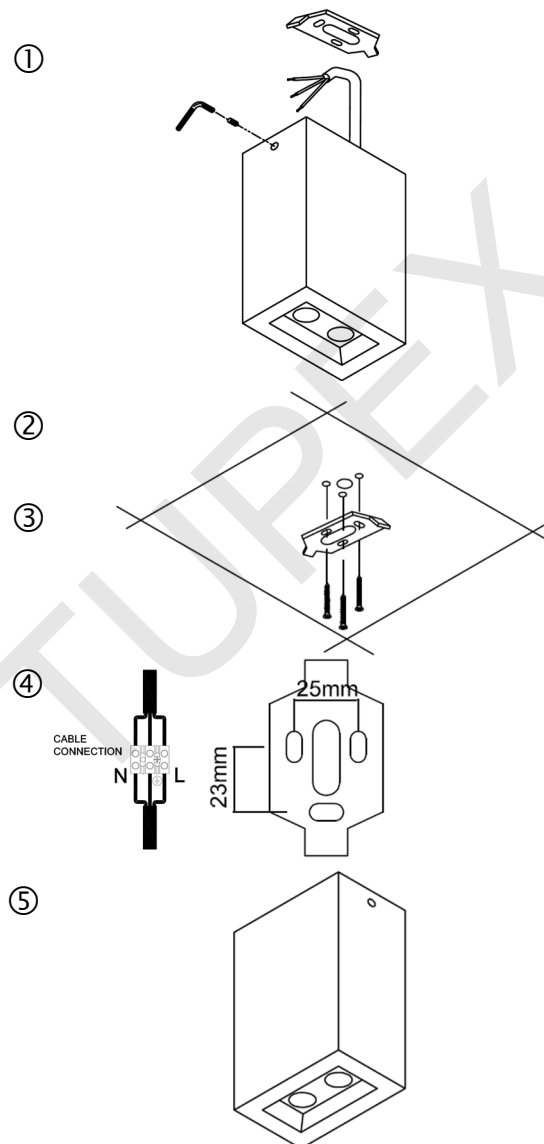
## INSTALLATION:

**-SWITCH-OFF THE POWER SUPPLY BEFORE CARRYING OUT ANY MAINTENANCE OPERATION**

### TAG MINI MEDIUM 01

- 1 Remove the luminaire base by uncsrewing the grub screw using the hexagonal tool included in the package pic.1
- 2 Prepare holes in the ceiling using plugs type fischer (not included in the package) in correspondance of the feeding point
- 3 Fix the plate to the ceiling tighten the plugs screws
- 4 Make the adequate electrical connection to the terminal
- 5 Place the luminaire to the base by tighten the grub screw using the hexagonal tool.

### TAG MINI 03



### TAG MEDIUM 03

