

HYDROBOULEVARD 01,02,03 360 LED

COD. 609002

COD. 609004

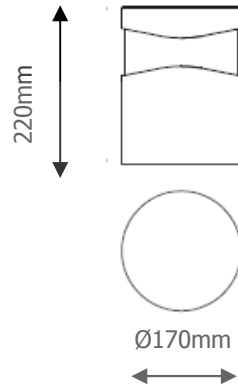
COD. 609006

ASSEMBLY AND OPERATING INSTRUCTIONS:



Made in Italy

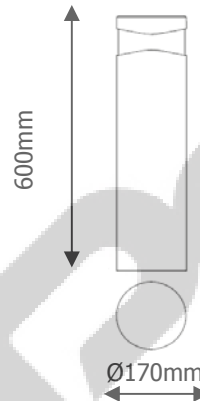
COD. 609002



HYDROBOULEVARD 01 360 LED

- Power consumption : 20W
- Voltage :220/240V 50/60Hz
- Color Temperature : 3000K or 4000K
- Lumen output: 1600lm
- Lens Type : 360° beam
- Insulation class: 1
- IP protection: IP65
- Gross weight: 4.2kg

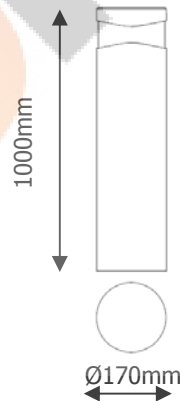
COD. 603004



HYDROBOULEVARD 02 360 LED

- Power consumption : 20W
- Voltage :220/240V 50/60Hz
- Color Temperature : 3000K or 4000K
- Lumen output: 1600lm
- Lens Type : 360° beam
- Insulation class: 1
- IP protection: IP65
- Gross weight: 5.7kg

COD. 603006



HYDROBOULEVARD 03 360 LED

- Power consumption : 20W
- Voltage :220/240V 50/60Hz
- Color Temperature : 3000K or 4000K
- Lumen output: 1600lm
- Lens Type : 360° beam
- Insulation class: 1
- IP protection: IP65
- Gross weight: 7.2 kg

Attenzione: La sicurezza dell'apparecchio è garantita solo con l'uso appropriato delle seguenti istruzioni pertanto è necessario conservarle

Warning: the safety of this fixture is guaranteed only if you comply with these instructions remember to conserve in a safe place.

Achtung: die sicherheit des gerates wird nur durch sachmasse befolgung nachtehender asweisungen gewährleistet; ihre aufbewahling ist deshalb sehr wichtig.

Attention: la secutie de l'appareil n'est garantie qu'en cas d'utilisation correcte des instructions stivante; il faut par consequent les conserver

Recommendations

- 1) verify that the equipment used to connect our devices to enjoy all the guarantees required under European law;
- 2) use the cables, connectors and quality materials for electrical wiring;
- 3) Products with IP65/68 degree make the wiring / connections with accessories provide the same degree IP of the selected product (available in the catalog);
- 4) In the case of installations outside is not recommended to install the power supplies in the formwork and / or in the junction box without adequate protection;

- Read the instructions for installation and commissioning.
- Pass the instructions to the customer for safekeeping.
- Do not remove the type plate of the luminaire.
- Please note the national installation and accident prevention regulations during installation.
- The installation must be performed only by a trained electrical specialist.
- Damaged cables may only be changed by trained electrical personnel.
- For improper installation or any subsequent change to the luminaire no liability is accepted.
- The light source of this lamp may be replaced only by the manufacturer or an authorized service technician or a similarly qualified person.
- LED lamps (without IP67 protection) must not be cleaned.
- Clean the luminaire regularly with a smooth damp cloth. Only use solvent-free cleaning agents. Attention: previously cut off the mains supply and allow system to cool down.
- To protect the surface from dirt and fingerprints, we recommend the use of protective gloves during installation.
- The disposal of the system must be carried out on the disposal of electronic products in accordance with the EU Directive WEEE (Waste Electrical and Electronic Equipment).
- In order to answer technical queries, please contact our project management respectively our worldwide branches and distributors

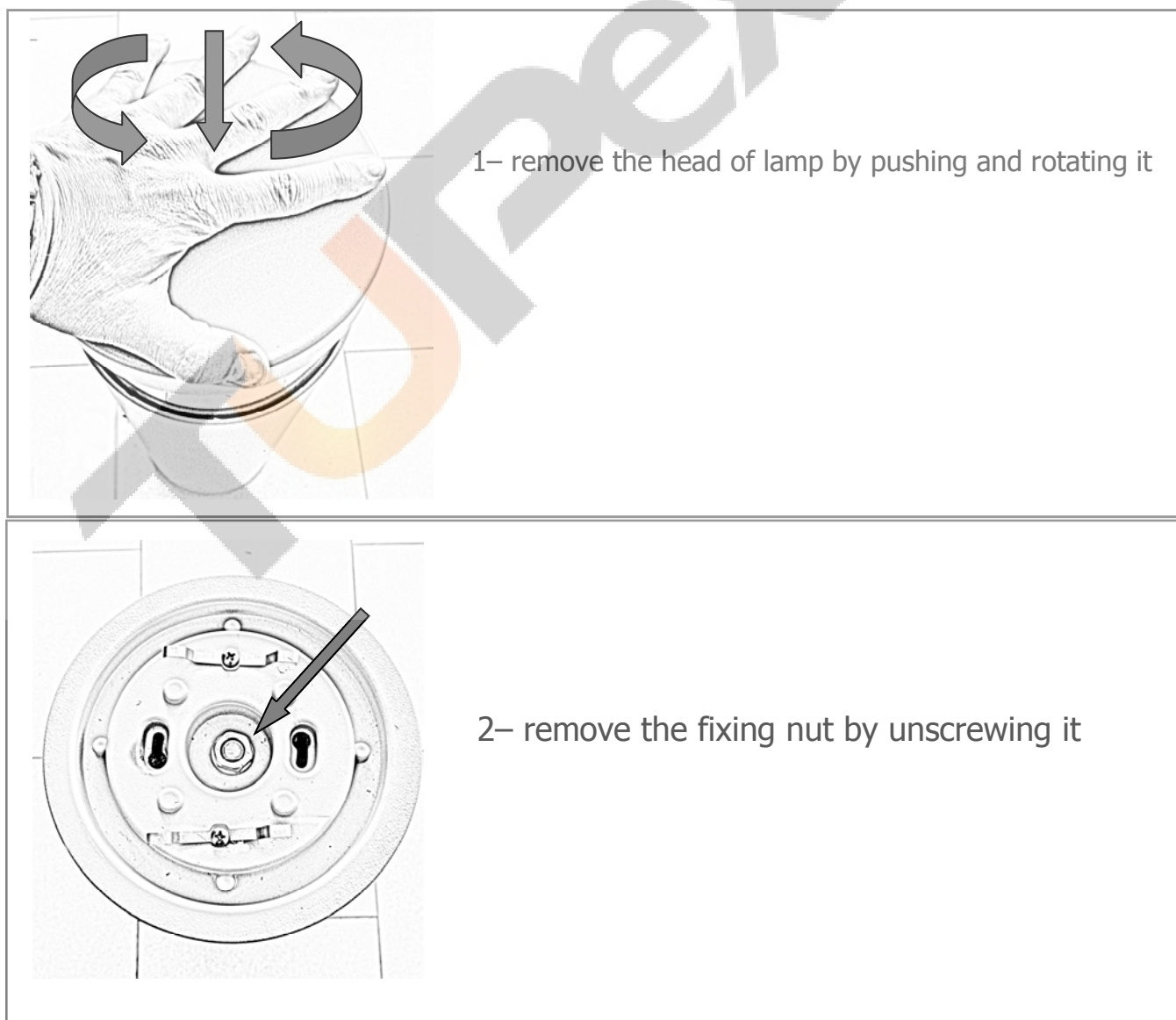
THE WARRANTY IS FALLING IN THE FOLLOWING CASES:

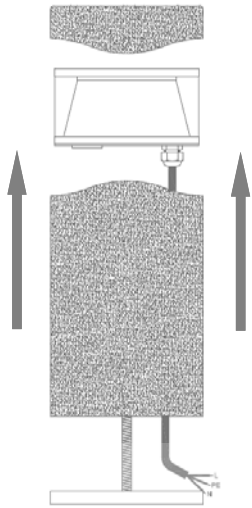
- 1) Malfunctions due to improper use of the product, modifications, repairs inadequate, negligence on the part of the installer / electrician, failure to assembly instructions and / or data plate;
- 2) Installations in plants not comply with the general safety;
- 3) Damage caused by natural causes such as lightning, fire or flooding;
- 4) Damage caused by wiring / connections with IP degree lower than the selected product.
- 5) Damage occurring during shipment of the product. In these cases the damage will be to charge and notify the carrier;
- 6) The warranty covers only the integrity of the product and NOT any costs of removal of the same;

INSTALLATION

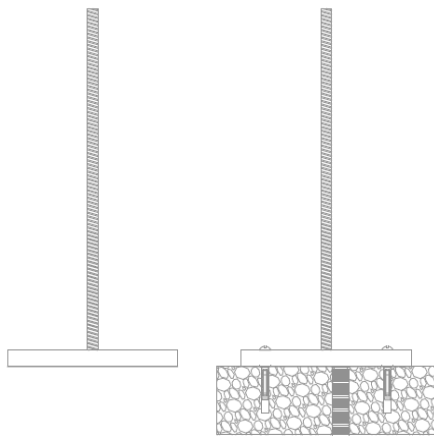
- THE MAINTENANCE MUST BE MADE BY A QUALIFICATE ELECTRICIAN
- SWITCH-OFF THE POWER SUPPLY BEFORE CARRYING OUT ANY MAINTENANCE OPERATIONS

The luminaire is supplied by us with LED illuminator already installed with built in SELV power supply. The cable and the fixture must not be tampered with for any reason. -it is essential to do a frequent cleaning of the glass and of the outer surface of the fixture to avoid build up of mud and dirtiness resulting in dangerous overheating due to uncorrect light and heat dissipation. Clean carefully the glass screen removing limestone deposits by means of a scraper.

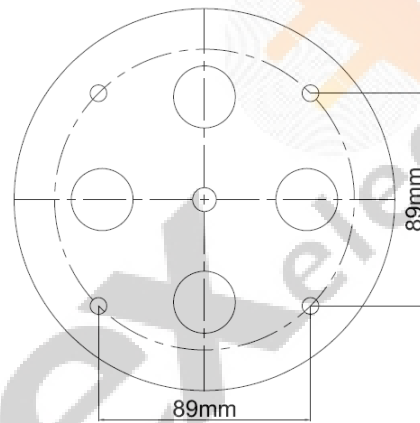




3- remove the luminaire and the aluminium cylinder



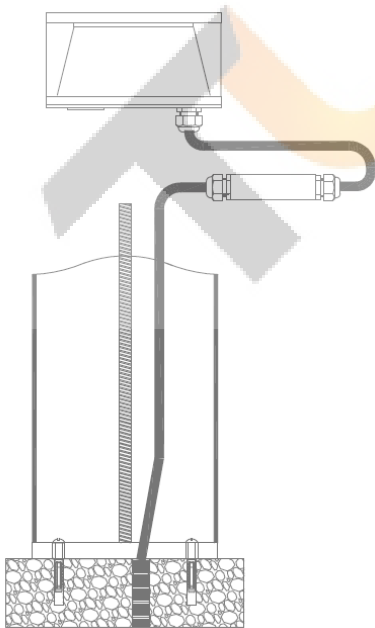
Light beam direction



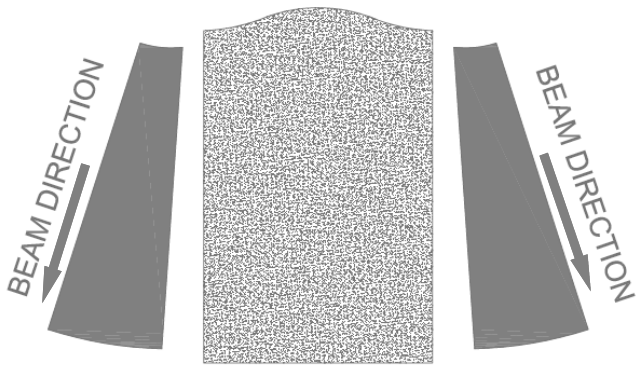
Light beam direction



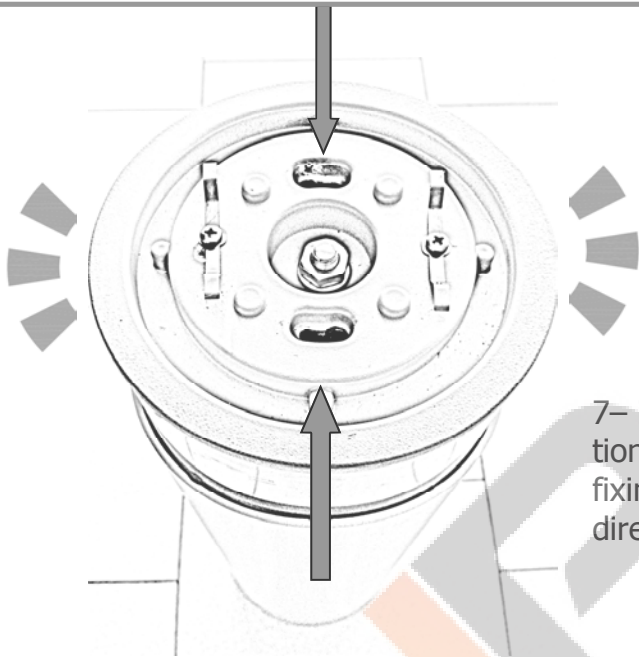
4- choose the correct position of the lamp in the feeding point and fix it to the floor using expansion bolt like "fischer" (not included in the package), pay attention to the symmetrical position of the base holes like the picture



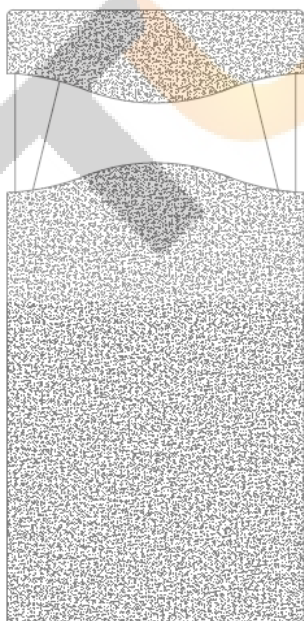
5- make the adequate connection (L-N-PE) respecting the outdoor electrical connection rules, by using devices with the correct IP protection (example of cable connector see catalog)



6- repositioning the lamp cylinder pay attention to the correct position of the light beam. The low wave of cylinder will be the direction of light beam



7- insert the luminaire in the cylinder and pay attention to the correct symmetrical position of head cup fixing holes (must be perpendicular to the light beam direction) fix it by screwing the nut



8- reassemble the lamp cover by obtaining the correct position of the light beam