



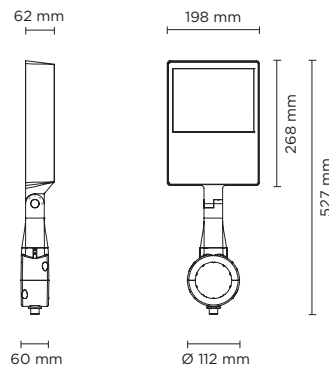
#### Technical features



806007 - 806008

## SINGLE ZEUS POLE MAXI

Square pole mounted floodlight for outdoor installation on a pole diam. 60 mm or 76 mm. Phospho-chromatised and polyester powder coated die-cast copper-free aluminium base and head, tempered safety glass, moulded silicone gaskets and o-rings, with screws in stainless steel. Symmetrical or asymmetrical wide light distribution. Swivel joint with graduated scale and mechanical aiming lock. Built-in LED driver, with 120 x mid-power SAMSUNG 2835 LED. IP66 rating.



SYMMETRIC LIGHT DISTRIBUTION



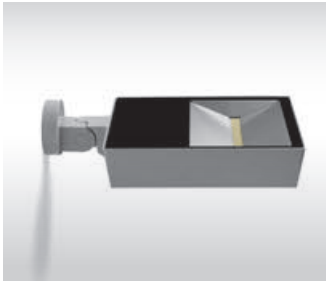
ASYMMETRIC LIGHT DISTRIBUTION



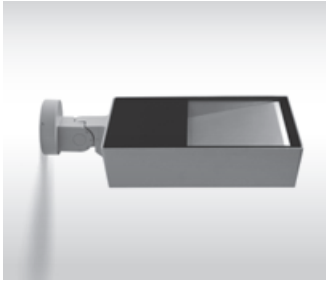
#### Technical data

IP Rating	IP66
IK Rating	IK09
Material	High corrosion resistance die-cast copper-free aluminum body
Coating	Polyester powder coating with phosphochromating pre-finish
Screws	Stainless steel
Transformer	Electrical power supply 220/240V 50/60Hz built-in
Gasket	Silicone rubber
Glass	Tempered
Cable gland	M16 rubber grommet
Power cable	Not included
Gross weight	4,00 Kg

806007		<b>SINGLE ZEUS POLE MAXI SYMM</b> 42 WATT 220-240V 50-60HZ	
<b>light source</b>	<b>light beam options</b>	<b>lumen output (lm)</b>	<b>lumin. efficacy (lm/w)</b>
<b>3000°K warm-white</b>			
mid-power led	110°	3.900	92.86
<b>4000°K neutral-white</b>			
mid-power led	110°	3.940	93.80



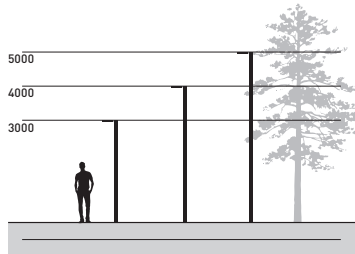
806008		<b>SINGLE ZEUS POLE MAXI ASYMM</b> 42 WATT 220-240V 50-60HZ	
<b>light source</b>	<b>light beam options</b>	<b>lumen output (lm)</b>	<b>lumin. efficacy (lm/w)</b>
<b>3000°K warm-white</b>			
mid-power led	110°x70°	2.995	71.31
<b>4000°K neutral-white</b>			
mid-power led	110°x70°	3.010	71.67



#### Colors options

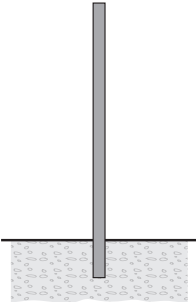
- Textured Grey  
RAL 9006
- Anthracite Grey  
RAL 7016
- Matt Black  
(on request)

## POLES & ACCESSORIES



#### BURIED POLES

code	article	h. mm.	description
809901	cylindrical pole 3,5 meters to be buried	3.500	Cylindrical pole made in steel S235JR (UNI EN 10219) hot galvanized (UNI EN 1461), <b>diameter 76 mm, thickness 4 mm.</b>
809902	cylindrical pole 4,5 meters to be buried	4.500	Phospho-chromatised and polyester powder coated. <b>Total height including 500 mm to be buried into the ground. Includes IP54 cover plate 132x38 mm and terminal block in double insulation.</b>
809903	cylindrical pole 5,5 meters to be buried	5.500	
809909	Top cap for pole diam. 76 mm.		



#### POLES WITH BASE-PLATE

code	article	h. mm.	description
809904	cylindrical pole 3 meters with base-plate	3.000	Cylindrical pole made in steel S235JR (UNI EN 10219) hot galvanized (UNI EN 1461), <b>diameter 76 mm, thickness 4 mm.</b>
809905	cylindrical pole 4 meters with base-plate	4.000	Phospho-chromatised and polyester powder coated. <b>With base plate dim. 250x250 mm, thickness 10 mm Includes IP54 cover plate 132x38 mm and terminal block in double insulation.</b>
809906	cylindrical pole 5 meters with base-plate	5.000	
809907	anchorage unit for base-plate		<b>Base plate dim. 250x250 mm, thickness 3 mm, made in galvanized steel complete of nr. 4 anchorage threaded bolts</b>
809909	Top cap for pole diam. 76 mm.		

